

XMARK

ASSEMBLY INSTRUCTIONS



XM-5360

XMARKFITNESS.COM



We at XMARK truly appreciate your business and are grateful for the trust you've placed in us. We sincerely hope you are satisfied with your purchase.

Don't forget to register your product. We've made registration fast and easy by using this QR code to the left or by visiting xmarkfitness.com/register. By doing so, you'll also have an opportunity to receive our product promotions, newsletters and more.



If we can be of assistance with your product assembly or any other concern, please reach out to us at service@xmarkfitness.com. Our staff is trained and ready to assist you.

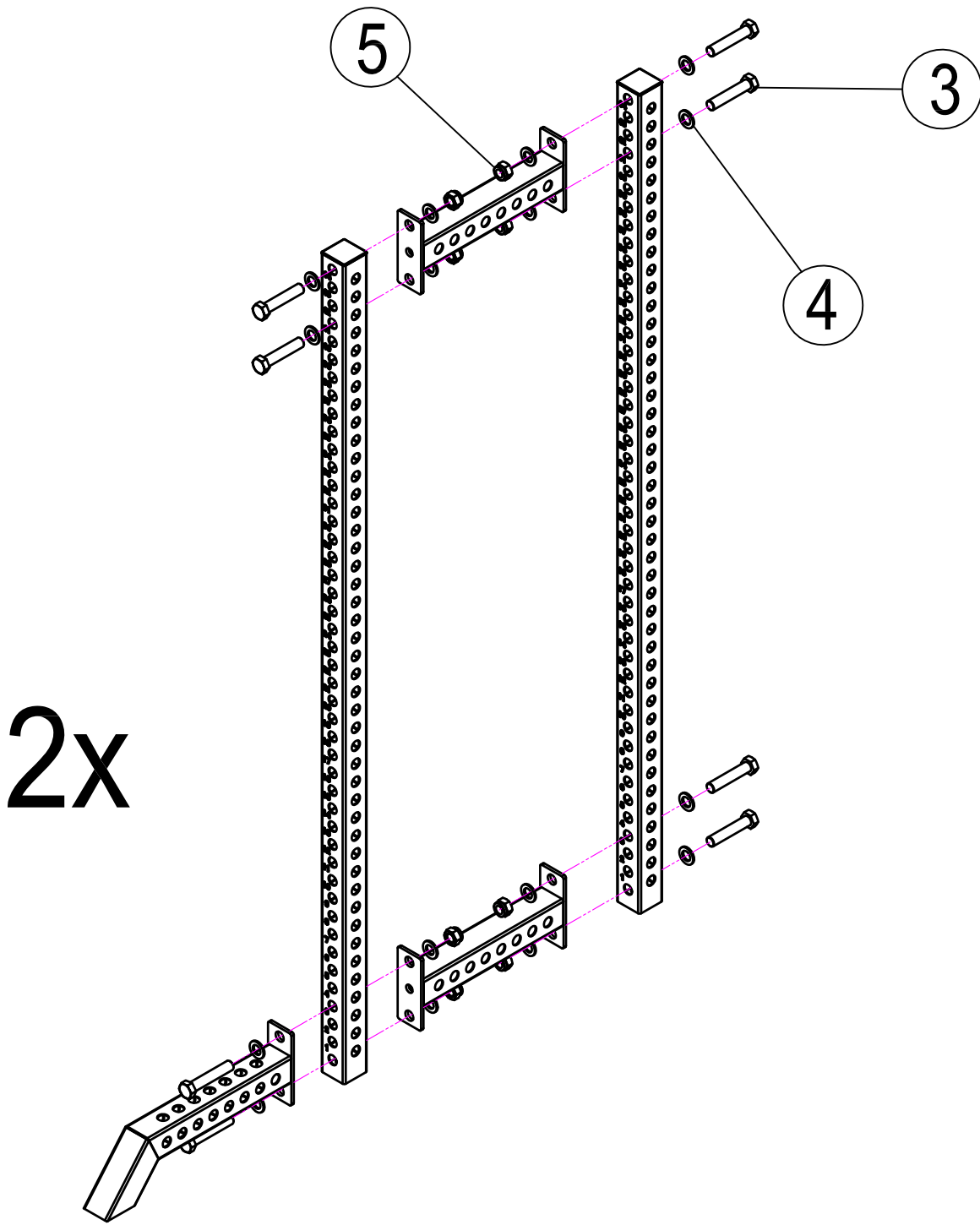
IMPORTANT SAFETY INFORMATION

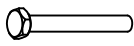


Before using this equipment or starting any exercise program, consult your physician. This is especially important for people over the age of 35 and/or people with pre-existing health problems. XMARK assumes no responsibility for personal injury or property damage sustained by or through the use of this equipment. It is the owner's responsibility to ensure that all users of this equipment have read the Owner's Manual and are familiar with safety information and precautions.

SAFETY PRECAUTIONS

- This equipment should only be used on a level surface and is intended for indoor use only. XMARK recommends an equipment mat be placed under the equipment to protect the floor or carpet.
- Walking or running shoes and the appropriate clothing should be worn when using this equipment.
- Always examine your equipment before using to ensure all parts are in working order.
- Do not leave children unsupervised near or on the equipment.
- Service to your equipment should only be performed by an authorized service representative, unless authorized and/or instructed by a XMARK technician. Failure to follow these instructions will void the warranty.

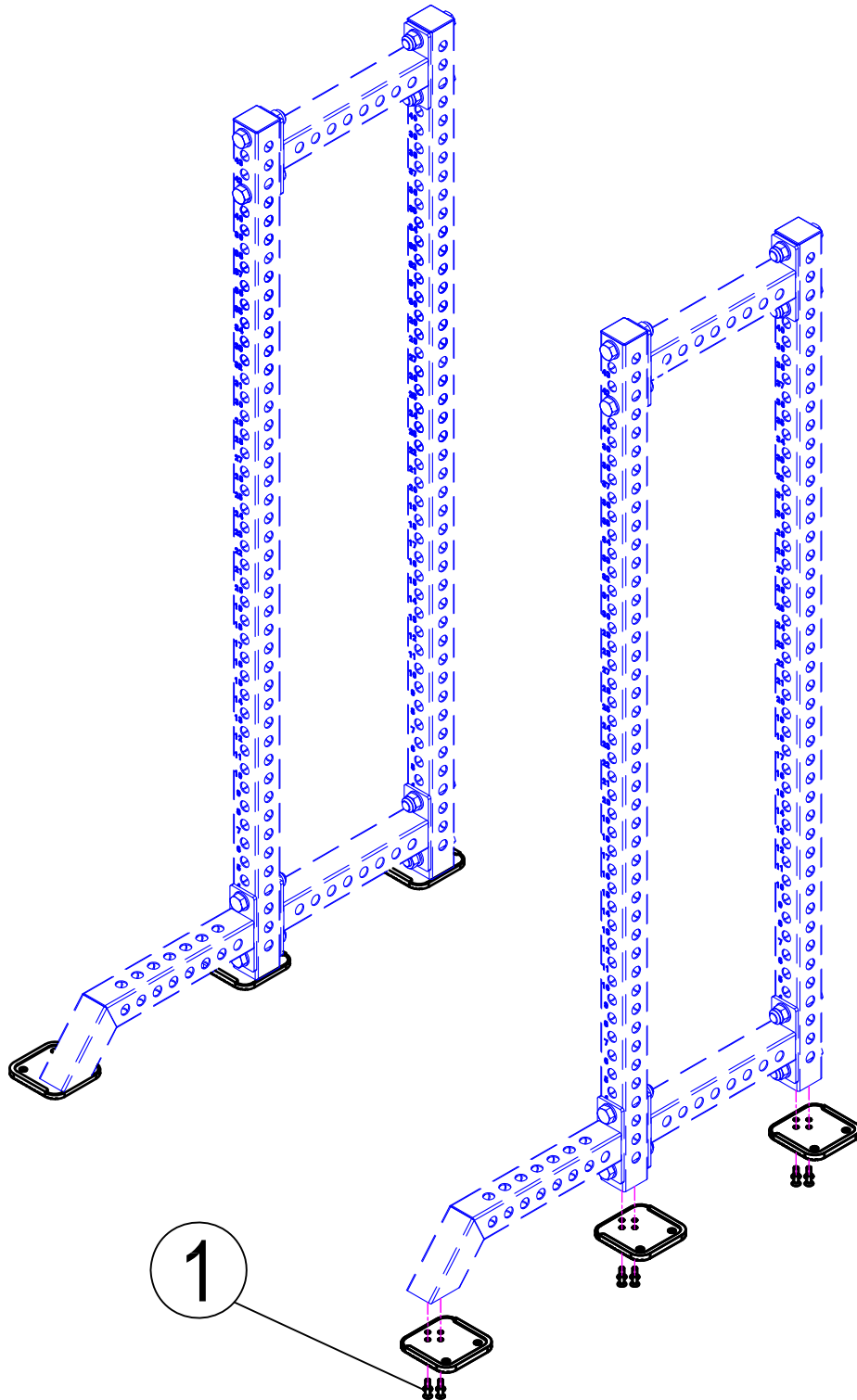
STEP 1




#3		M24*120	Qty:16	#4		24	Qty:32
				#5		M24	Qty:16

HAND TIGHTEN BOLTS UNTIL ASSEMBLY IS COMPLETE

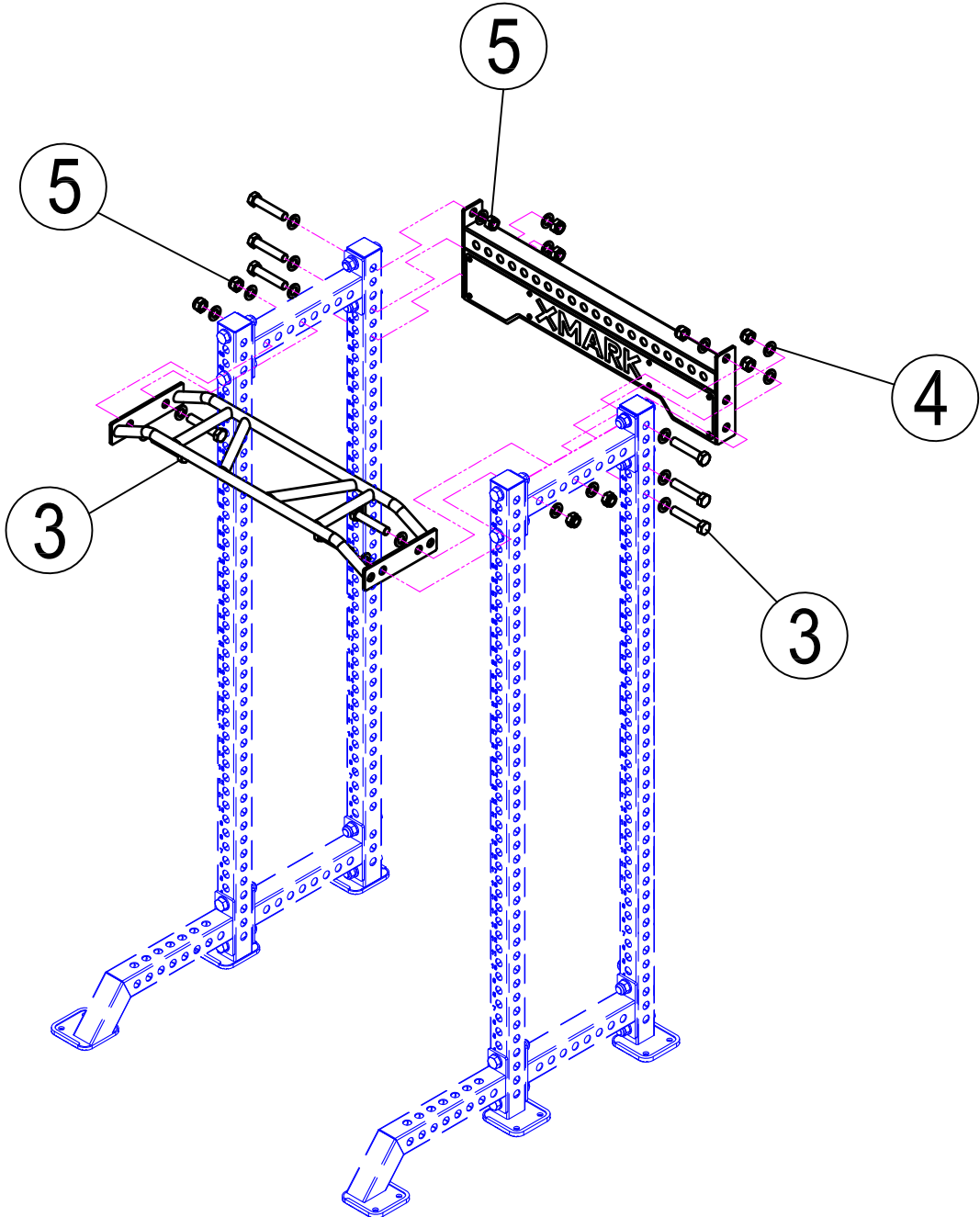
STEP 2

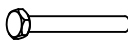




#1		M10*25	Qty:24
----	---	--------	--------

HAND TIGHTEN BOLTS UNTIL ASSEMBLY IS COMPLETE

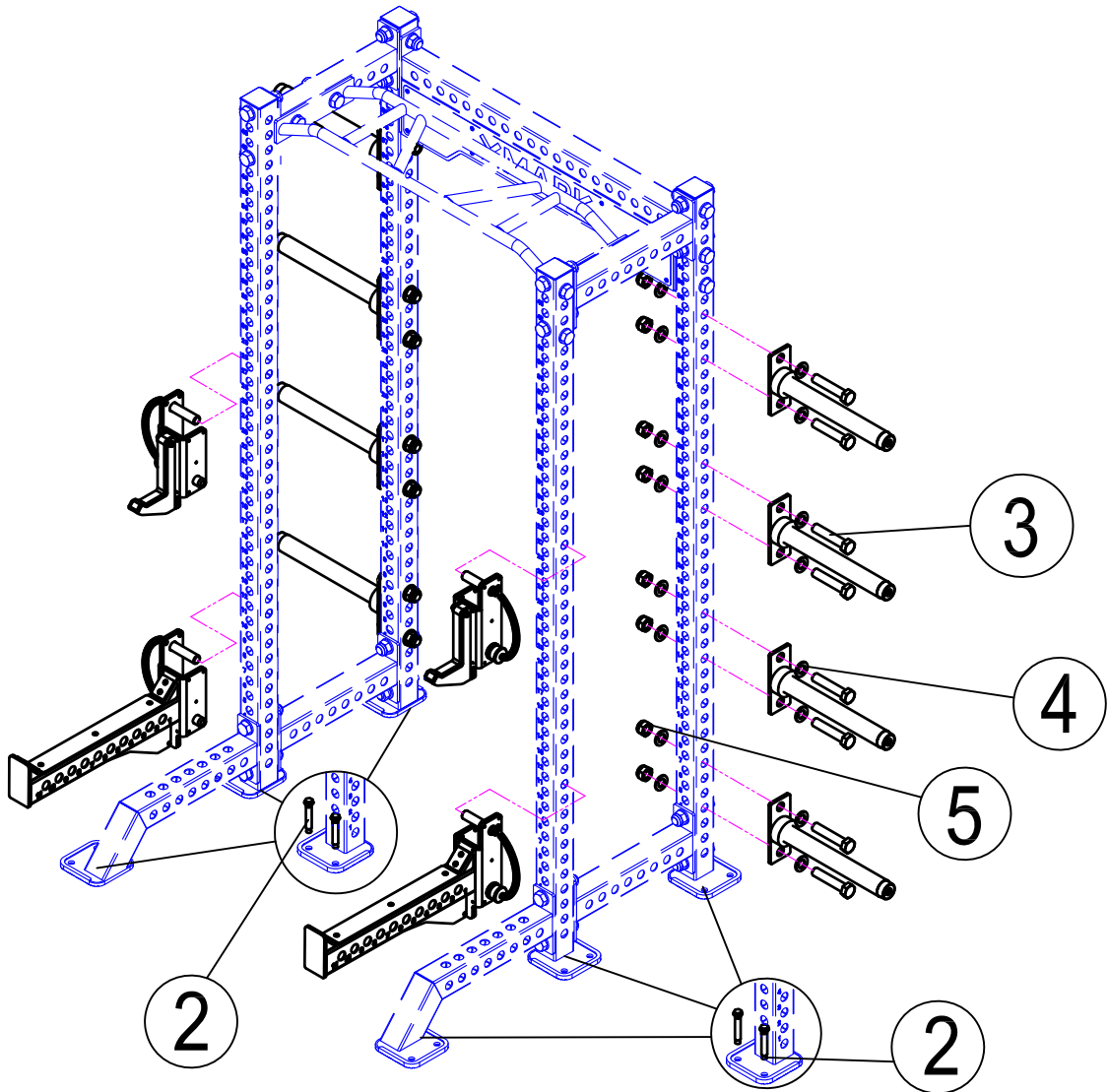
STEP 3

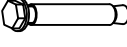

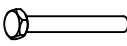



#3		M24*120	Qty:10	#4		24	Qty:20
				#5		M24	Qty:10

HAND TIGHTEN BOLTS UNTIL ASSEMBLY IS COMPLETE

STEP 4



#2		M12*100	Qty:12	#4		24	Qty:32
#3		M24*120	Qty:16	#5		M24	Qty:16

WRENCH TIGHTEN ALL BOLTS - ASSEMBLY IS COMPLETE

THANK YOU FOR CHOOSING XMARK!

Let others know how much you love your XMARK equipment by leaving us a review at xmarkfitness.com. If you've had less than a positive experience, email us at service@xmarkfitness.com or call us at 1-800-719-4605. We're committed to delivering excellence and your feedback helps us to keep improving our products.



MAKE YOUR MARK

We'd love to see you working out on our equipment or see pictures of your home gym! Visit our website to submit photos or share on our social media channels.

#XMARKFITNESS



www.xmarkfitness.com