



LED SCREEN COMMERCIAL TREADMILL (CC-T2-LS)

(LED SCREEN PG.14)



WWW.MUSCLEDFIT.COM

CATALOGUE

Important precautions.....	01
Introduction.....	02
technical parameters.....	02
Installation.....	03
panel description.....	16
operation guide.....	19
amount of exercise reference.....	22
daily maintenance.....	22
maintenance guide for commonfaults.....	23
storage.....	23
circuit diagram.....	24

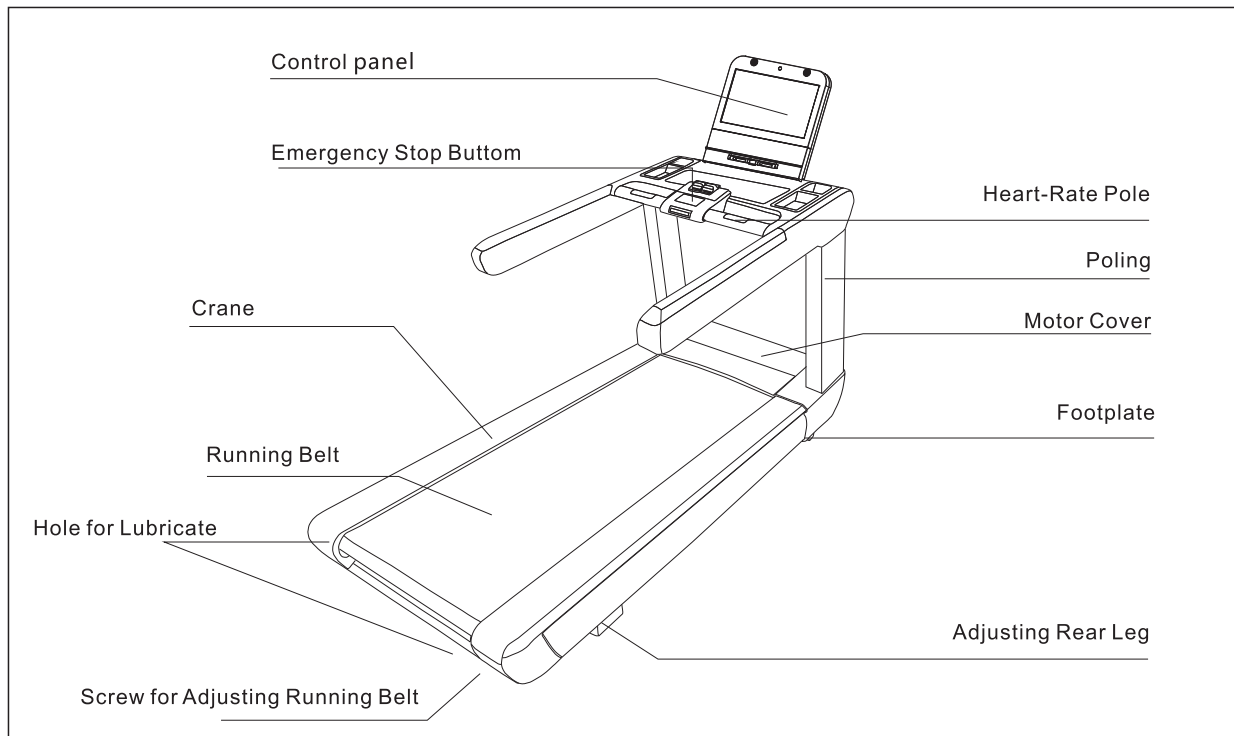
1.Important Precautions

1. Please read the following important precautions before using the treadmill, and pay attention to the following security precautions.
2. Have your body examined and consult the physician; Do exercise according your body status.
3. Wear appropriate exercise clothing and shoes and tied your hair up when using the treadmill.
4. Place the treadmill on a level and firm surface and make sure that all four legs evenly stand on the surface. If the surface is not level, adjust the rear leg to make it level.
5. Never start the treadmill while you are standing on the running belt. Put your feet on the foot rails before startup. Stand on the running belt after the treadmill is started normally.
6. Never leave the treadmill unattended while it is running.
7. Keep your hands away from any moving parts.
8. Never shake the treadmill while it is running.
9. Do proper amount of exercise; don't work to exhaustion.
10. If you feel any aches or other discomfort, stop immediately.
11. When something gets into the running belt or the roller, the apparatus can not be stopped at once. Therefore, children are forbidden to get close to the running platform.
12. The power should be cut off when adjusting the rear leg or operation near the rear leg.
13. Cut off the power in time after using the apparatus.
14. It is better to place the treadmill indoors in case it is affected with damp.
15. Never make any liquid onto the treadmill, power line and switch, etc, in case any electric shock happens.
16. Don't disassembly and change the components by the manufacture, which might cause injury.

▲ Before beginning any exercise program, always consult your physician.

2. Introduction

Congratulation on having purchased one of the best sports apparatus in the current Gymnastic apparatus market ---381 Electric Treadmill. It is your indispensable sports apparatus with firm structure and reliable security.



Total Skeleton Map

3. Technical Parameters

Input power: $\sim 220V \pm 10\%$, 50HZ or 60HZ

Speed: 0.8~20.0km/h

Time Display: 00.00~99.59(min.sec)

Distance Display: 0000~9999m

Incline: 0~15%

Human Weight: <160KG

Working Temperature: -50~+400C

4. Installation

1)Installation.

Please find the parts listed below in the package prior to installation(see Table 1)

No.	Name	Qty	No.	Name	Qty
1	Fuselage	1set	10	M10 Flat Washer	10
2	Header Assembly	1set	11	M8 Flat Washer	4
3	Display Assembly	1set	12	Crosshead Screwdriver	1
4	Left Handrail Rack	1set	13	6# Allen Key	1
5	Right handrail rack(with cables)	1set	14	5# Allen Key	1
6	M10×25 Hexagon socket button head screws	12	15	22# spanner	1
7	M8×25 Hexagon socket button head screws	4	16	10A Fuse	1
8	M5×16Tapping screws	3	17	User Manual	1
9	M10 Spring Washer	12	18	Special Lubricating Oil for Running Belt	1

Table 1

2)Installation Steps

(1)Place installation

To ensure that exercise with the equipment is easy, safe and effective, the place to install treadmill should comply with certain specific requirements; in particular, before choosing the place to install treadmill, please ensure that the following conditions are conformed with:

-temperature between+100C and+250C;

-enough air is circulating to keep humidity to between 20% and 90% during exercise;

-light is good enough to ensure the area a safe and relaxing place to exercise in;

-plenty of free space around each item of equipment, and a free space of 2×1m in front of the tread belt;

-that the floor is flat, stable and vibration-free, and strong enough to bear the weight of the equipment plus user;

-If the equipment installed in a public place of entertainment, its location must comply with all the suitability requirements laid down in current legislation on this matter.

-The equipment is not suitable for use in the presence of anesthetic mixture inflammable in air, oxygen or nitrous oxide.

(2)Unpacking

The packing case can be lifted and carried with normal lifting equipment.

- (3) Place the equipment on solid and flat ground.
- (4) Twist down the five screws connecting the top and bottom parts of the motor cover with cross screwdriver and then remove the top part. (See Figure 1)

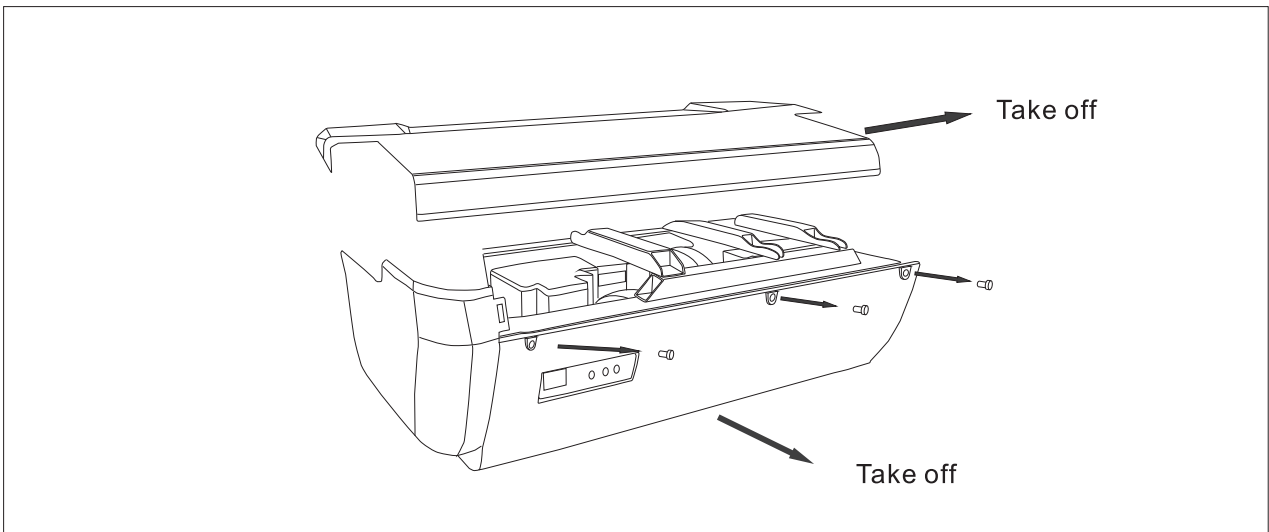


Figure 1

- (5) Fit the upright racks into the left and right sides of the body respectively, screw the six M10*25 hexagonal fillister head screws, M10 spring gasket and flat gasket with 6# hexagonal spanner as per the order listed in below diagram (See Figure 2), and meanwhile reeve the signal cable into the upright post.
- Attention:** Please don't screw too tight in consideration of future maintenance.

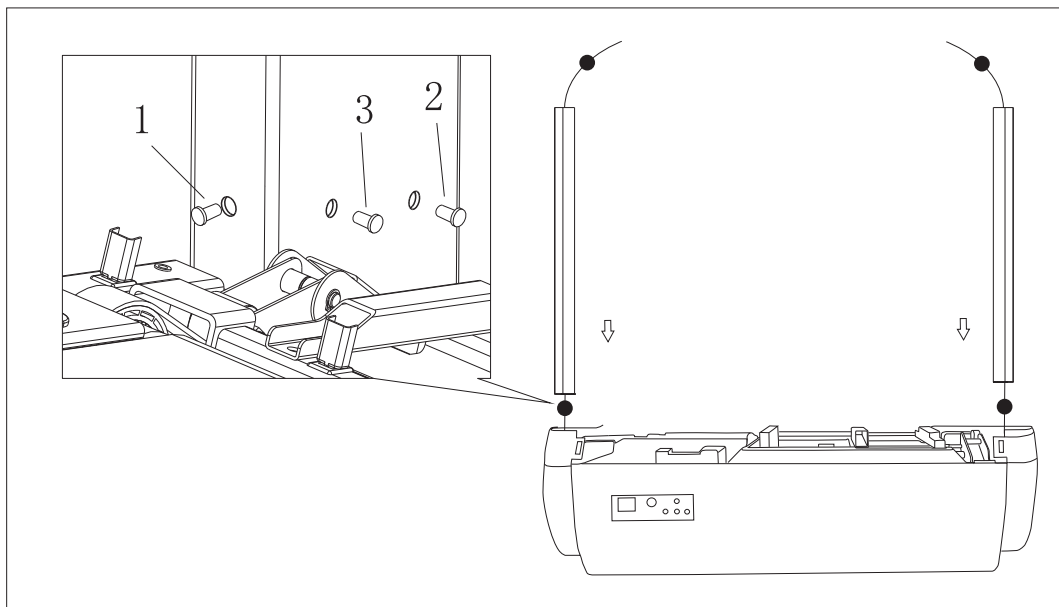


Figure 2

(6) Based on the outer side of the connecting board at the bottom of handrail, align the inner side of upright pole and then insert the console. During this process, please ensure bilateral symmetry. Then match the cable connector at the upper part of right pole and the plug inside the console. (See Figure 3)

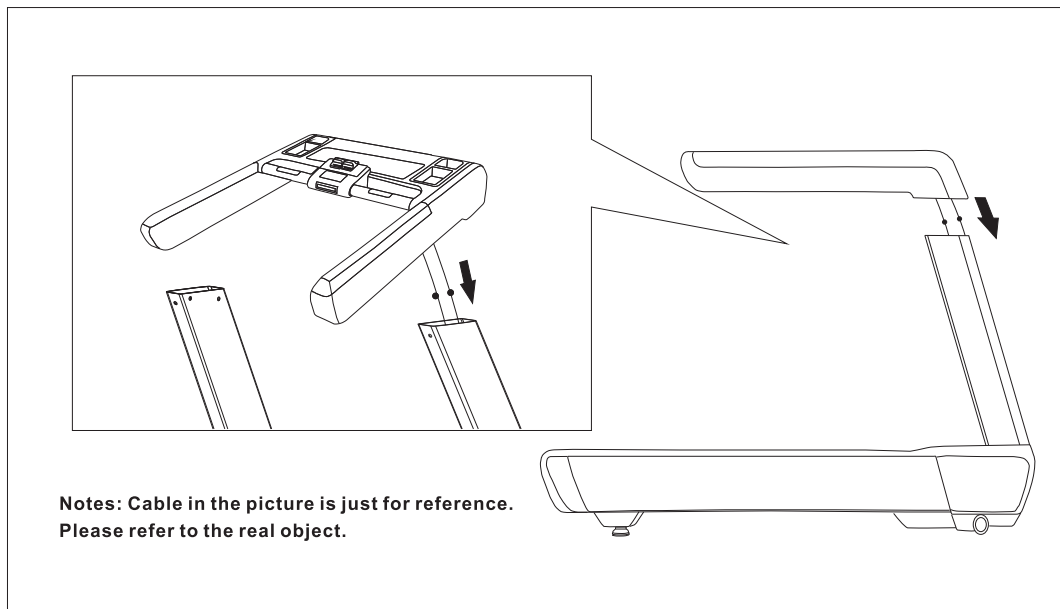


Figure 3

(7) Align the screw holes on the handrail board to the screw holes at the top of upright poles (3 holes each side), then twist down M10*25 hexagonal fillister head screws and M10 flat gasket with 6# hexagonal spanner. Please don't screw too tightly. (See Figure 4)

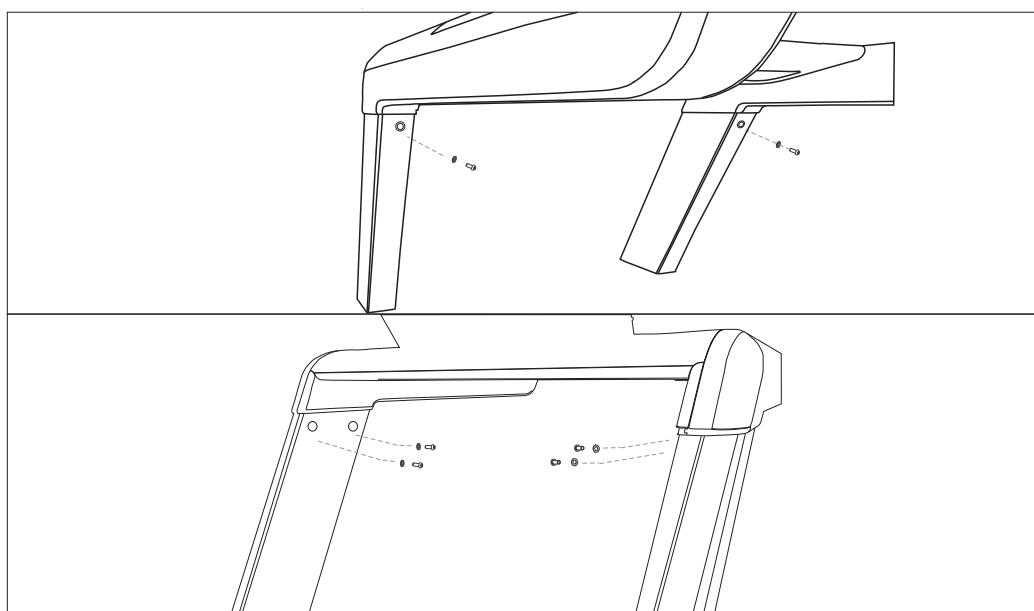


Figure 4

(8) Align the hole positions on the console, insert the LCD screen into the platform from top to down. Match the connectors of each cable as per marks. (See Figure 5)

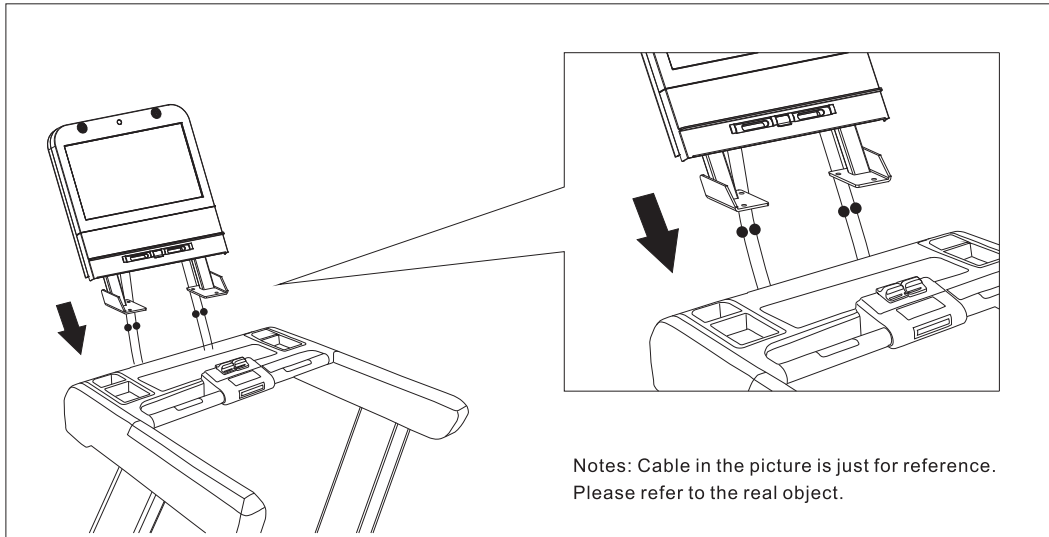


Figure 5

(9) Align the screw holes between the bottom of screen and console module after the screen is fitted into the console platform well and then screw in M8*25 hexagonal fillister head screws and M8 flat gasket with 5# hexagonal spanner. (See Figure 6)

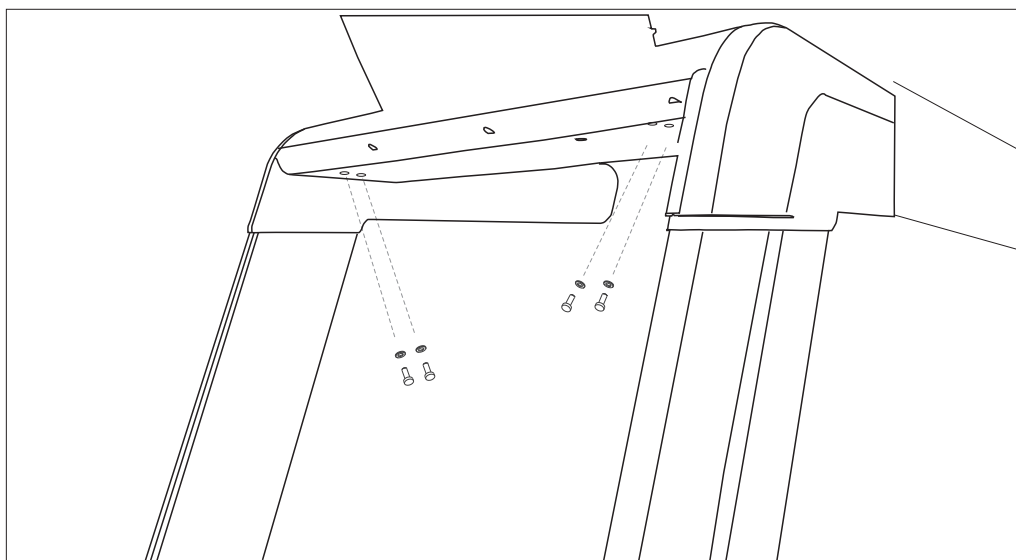


Figure 6

(10) Plug the electrical connectors at the lower part of right upright pole into the corresponding sockets inside the electrical enclosure of the equipment and then test if it works properly. (See Figure 7)

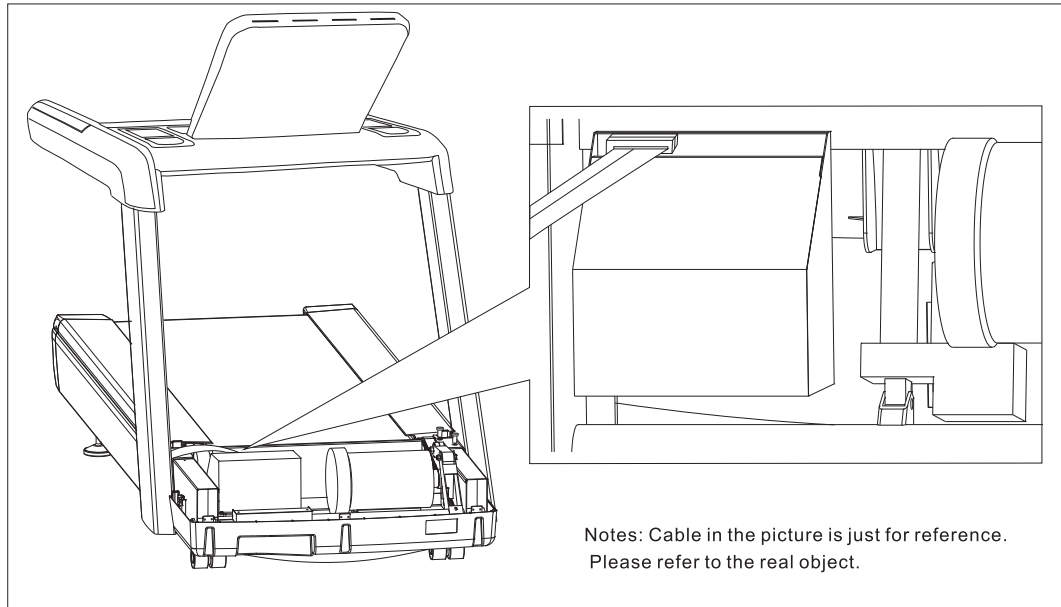


Figure 7

(11) Finally fix the upper cover into the lower cover (See Figure 1). If the treadmill is running well, then tightly screw the eight M10*25 hexagonal fillister head screws that are not so tight in Step (5).

3) Horizontal Adjustment of the Running Platform

If the running platform is not stable, adjust the height of the left or the right rear leg to make it stand on the ground stably. (With 22# hexagonal spanner) Screw the upper nut tightly, then turn the leg around. It'll rise up if turned clockwise and go down if turned anticlockwise. (See Figure 8)

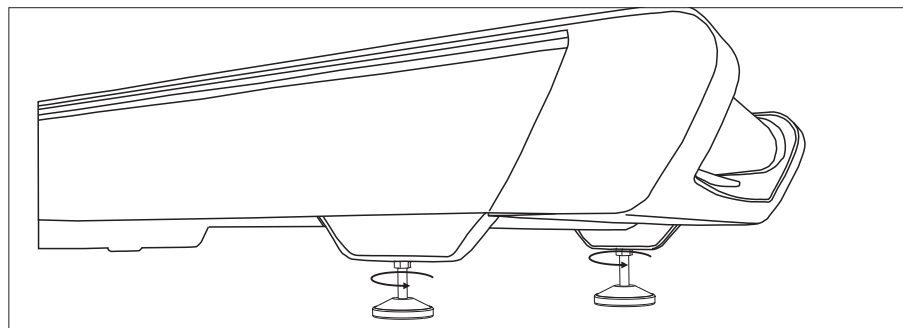


Figure8

4) Movement of treadmill

The two front wheels are fixed. Lift the rear part slightly then push and move forwards or pull and move backwards. Do not lift too high as it may damage the front cover. (See Figure 9)

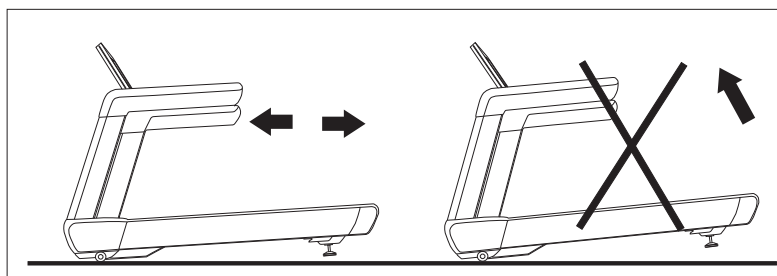


Figure9 Treadmill movement illustration

Considering the weight, we suggest two or more people to move it together. If the wheels can't be used on the floor, move it with normal method. Attention: Hold the metal shell not the plastic part when moving the treadmill.

5) Electrical connection

Please ensure the equipment electrical system is complied to the local requirements before connecting to the power supply.

Attention:

- The power supply socket must show mark of ground connection. If not, a grounding device must be installed by a qualified electrician before the treadmill is connected to power.
- The wall socket must be located in a place where plugging and unplugging can be done easily and safely.
- When plugging in, make sure the equipment is power-off.

Warning: ▲ Check the power cable regularly.

▲ The labels on the main switch shows position of on and off.

6) Grounding instructions

The treadmill must be grounded. This way can reduce risk of electric shock to the maximum extent if any malfunction.

Warning: ▲ Wrong grounding device causes electrical shock.

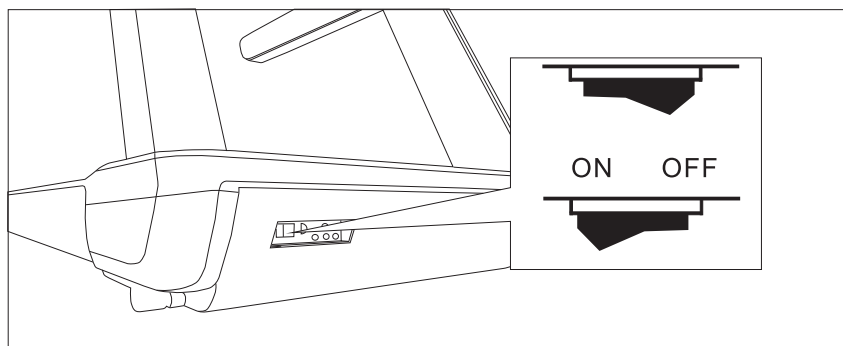


Figure 10 Diagram of Switch Position

After finishing all the above procedures, the treadmill can be put into use now.

6) Panel Illustration

1) LCD Touch Screen

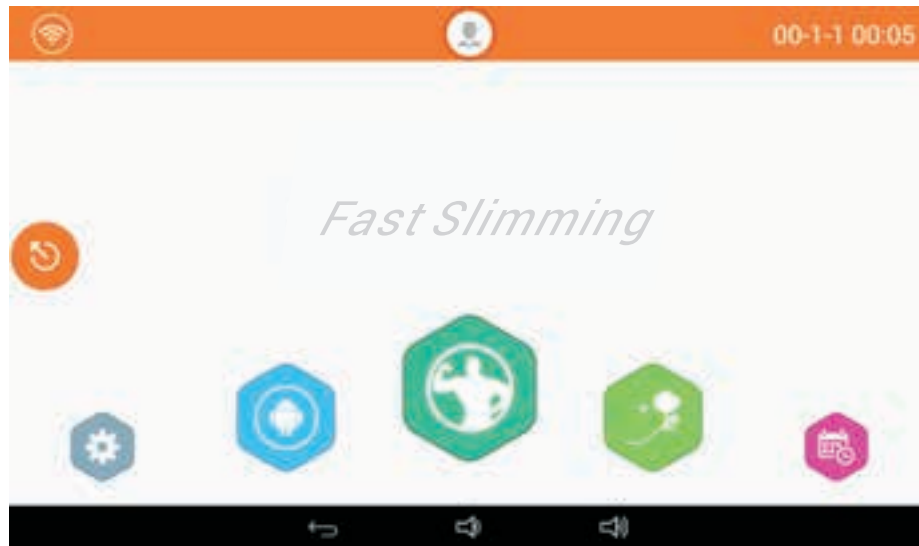


Figure 11

Screen button and function description

WiFi connection status, treadmill working status and fan status are showed at the left top part of the screen. User logging status is showed in the middle of the screen. Current time and date are showed at the right top part of the screen. Icons and related functions are as below:











	Wifi		User Info
	Fast Slimming		Live mode / Scene
	Exercise date button		Entertainment
	System Setting		Question
	Sport record		Back

Figure 12

Different function modules can be entered by pressing above buttons. There are 3 buttons at the bottom of the screen: Back, Volume-, Volume+. The screen will return to the main interface by pressing "Back" button.

Key-Press Description:



1. Press Home page's "WIFI" Button to enter "system setting page". On this page you can find "net" "display" "voice" "languages" setting option. You can enter each of those to adjust relative function.

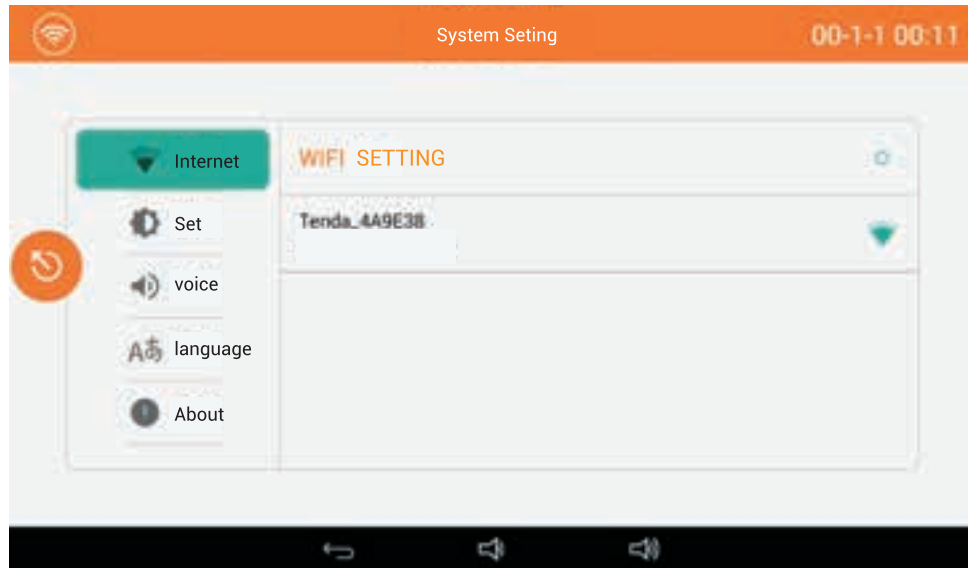


Figure 13



2 Touch the "User Info" button to enter the account login page(connected network), through this page you can log into your personal account and record your personal exercise data or delete account information. Show as follows :

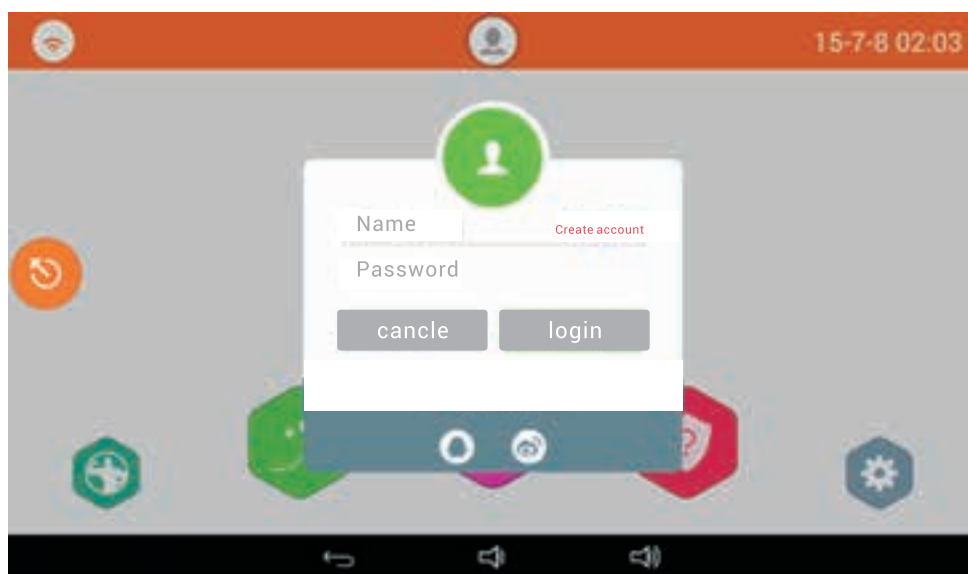


Figure 14



3.Touch the screen “Fast Slimming” Button to enter the fast slimming screen

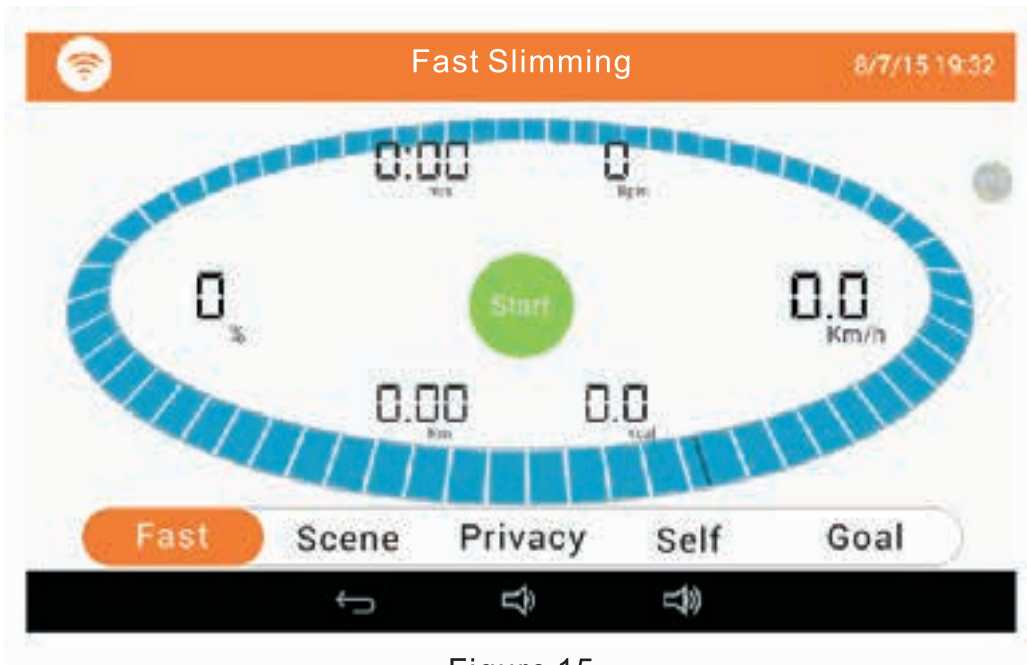


Figure 15



4. Press “live mode / Scene” button to enter the live scene mode, respectively “Country road”, “Open Alley” “city street” , Choose by two side rolling button and press start.

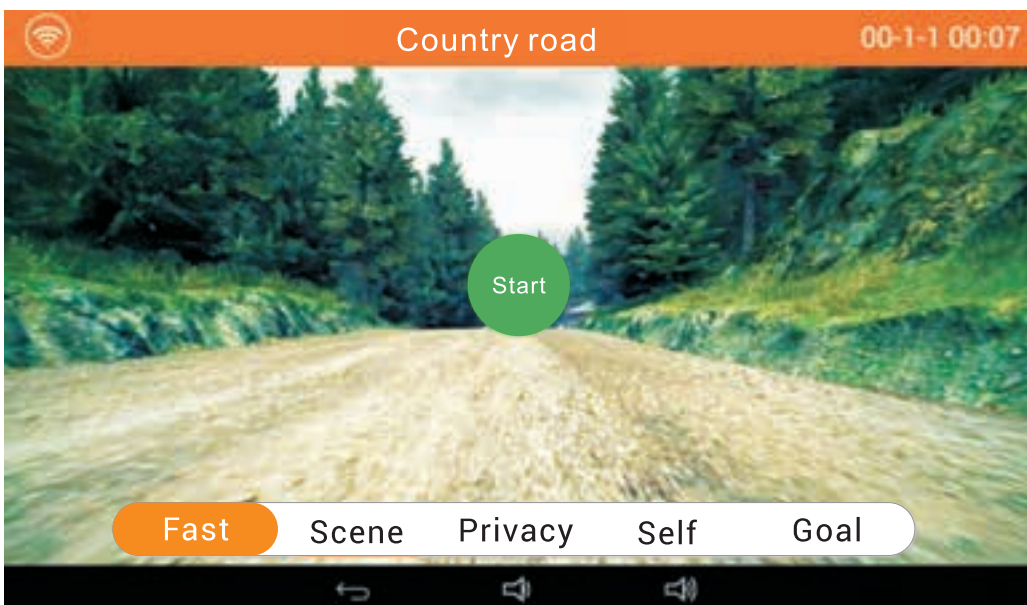


Figure 16



5. Touch the key of SPORT RECORD to enter the “SPORT RECORD” interface as below figure. In the sport record interface, According to date, it shows your sport record daily, weekly or monthly, below three circles stands for accumulated time, accumulated distance and accumulated calories, The data in the circles stands for exercised data take the percent of total exercised datas, Sport data at the bottom is the lastestly finished exercise record.

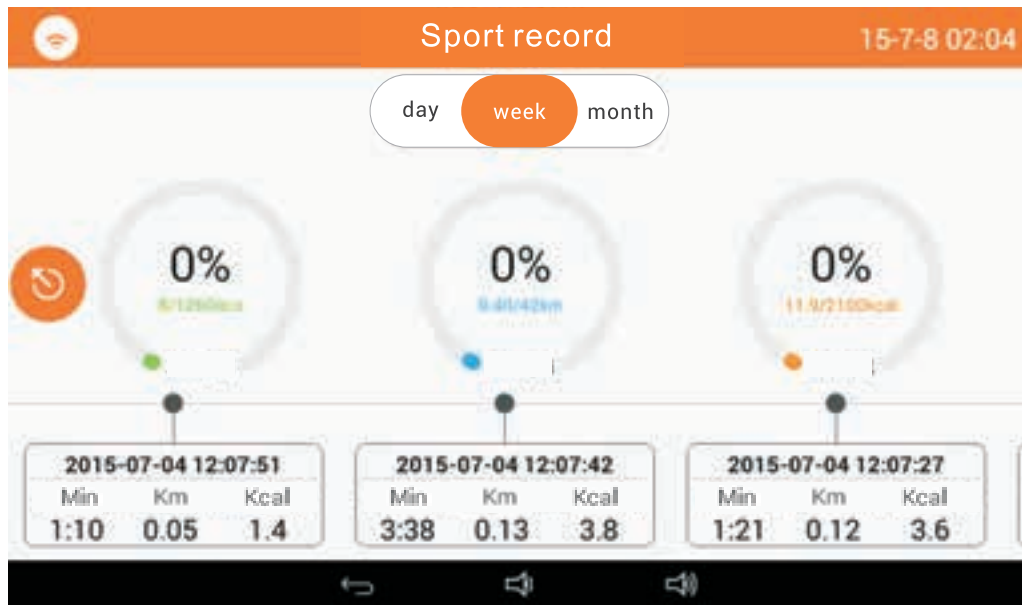


Figure 17



6. Touch the Entertainment Key in the main interface, enter into the Entertainment interface. User can choose different entertainment way, listen, whatch TV, ect.,



7. Touch system setting function key, enter the system interface (including Internet, Display, Voice, Language) four kinds setting and “ABOUT” option.



8. Touch the Question Key, enter the treadmill detailed introduction interface. User can scan and find the whole specification about this system.



9. Exercise date button. If you want to see the exercise data, please touch the display frame of “Speed and Incline”, then the following interface will show automatically. The data frame will be hidden by touching any position outside it or without operation after 10 seconds.

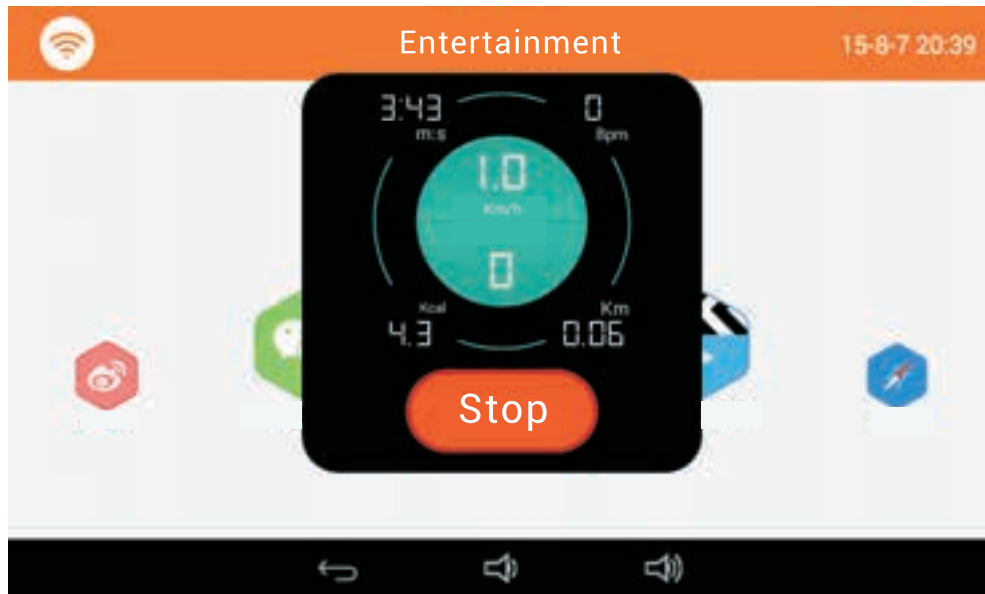


Figure 18



10. Touch “Back” button, the interface will be returned to the previous one.

LED Touch Key Panel

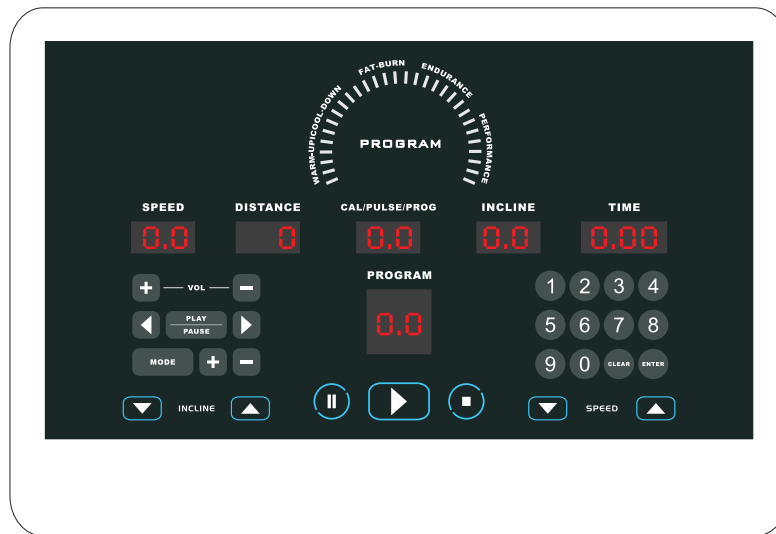


Figure 19 LED touch button panel

1) Keys

Incline ▲▼: Use these keys to increase or decrease the speed in 0.1km/h increments. Mode: Press this key with pre-ssing +, or pressing – to select the workout program. Mode +/- :Use these keys to select workout program.

■: Stop key. Use for stop the belt move and end the current workout. Pressing once it is to reset and delete all datas .

▶: Start key. Press this key to begin a workout.

⏸: Pause key. Press this key to stop the belt and hold the current workout.

Continue the workout by prssing the START KEY.

Vol +/-: Use for voice volume change.

PLAY: Use to begin MP3 program.

PAUSE: Change to previous or next track.

Number keys: 1,2.....9, 0: change the speed

CLEAR: delete, using with number keys.

ENTER: Enter, using with number keys.

Display Illustration

Digital display: speed, time, distance, calorie, heart rate, incline/program.

Speed: show the speed of exercise, E.g. display of 12. 3 refers to 12. 3km/h.

Distance: show the distance of exercise, E.g. display of 1234 refers to 1234meters. When the display screen is blinking, press "Mode+" or "Mode-" to change the distance value.

Calorie & Heart rate: display calorie and heart rate value. When powered on, the number showing on the screen refers to calorie. When the heart rate is measured, the screen will automatically switch to the value of heart rate, or it switches to that of calorie.

When treadmill stop, "MODE" button is used to change programs in windows.

For example: 1 23. 4 refers to 1 23. 4 Calories

99 refers to the heart rate.

A1 refers to Program A1 , L1 refers to Program L1, P1 refers to Program P1

Time: showing the time, e.g, 12.34 refers to 12 minutes and 34seconds

Display blinks: When the time window blinks, press MODE+ to change time goal and press START to confirm.

When the calorie window blinks, press MODE+ to change calorie goal.

When the distance window blinks, press MODE+ to change distance goal.

Panel Descriptions

1) Keys

Incline : For incline change, One time pressing will change 1 degree.

Speed: For speed change. One time pressing will change 0.1km/h and continually pressing will let speed change according to 0.5km/h per change time.

Mode: For workout program options with pressing key of mode +/-

Mode +/- : For exercise goal change.

Stop. One Time Pressing for stop, twice time to clean all data

Start. For treadmill start work

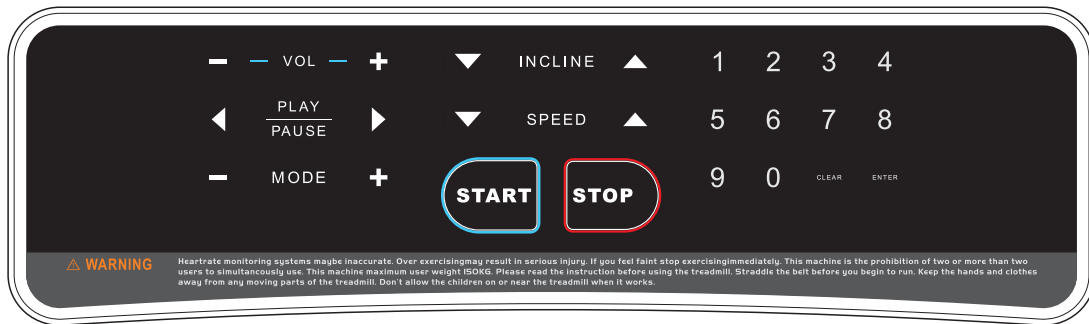


Figure20

Number Button 1,2...9,0 : change running speed.

Clear: Clean up ,it work together with number button

Enter: Enter , It work together with number butto

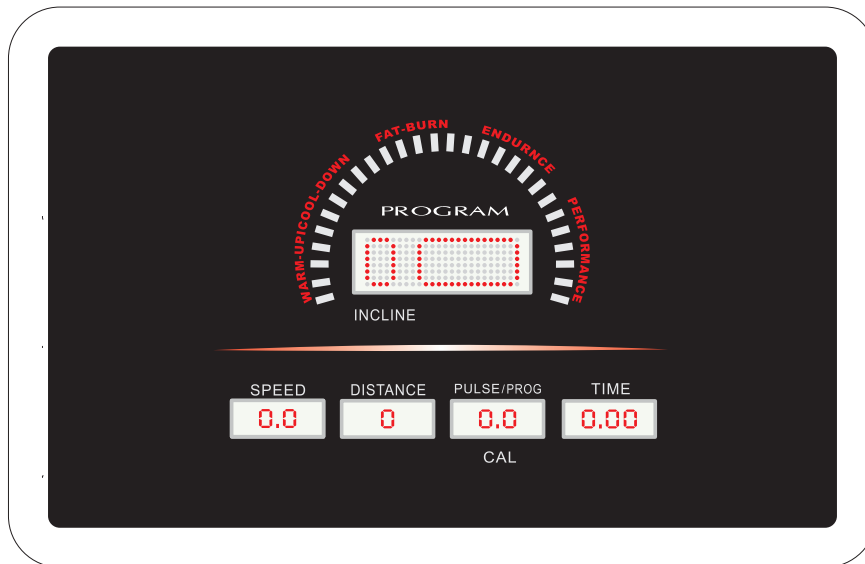


Figure21

2) Display Illustration

Digital display: speed, time, distance, calorie, heart rate, incline. program.

Speed: show the speed of exercise, E.g. display of 12.3 refers to 12.3km/h.

Distance: show the distance of exercise, E.g. display of 1234 refers to 1234meters. When the display screen is blinking, press "Mode+" or "Mode-" to change the distance value.

Calorie & Heart rate: display calorie and heart rate value. When powered on, the number showing on the screen refers to calorie. When the heart rate is measured, the screen will automatically switch to the value of heart rate, or it switches to that of calorie. After power off, "MODE" button is used to change programs in windows.

For example: 1 23.4 refers to 1 23.4 Calories

99 refers to the heart rate.

A1 refers to Program A1,

L1 refers to Program L1,

P1 refers to Program P1

Time: showing the time, e. g. 12. 34 refers to 12 minutes and 34seconds

Display blinks:

When the time window blinks, press MODE+ -to change time goal

When the calorie window blinks, press MODE+ -to change calorie goal.

When the distance window blinks, press MODE+ -to change distance goal.

AC Television Parts

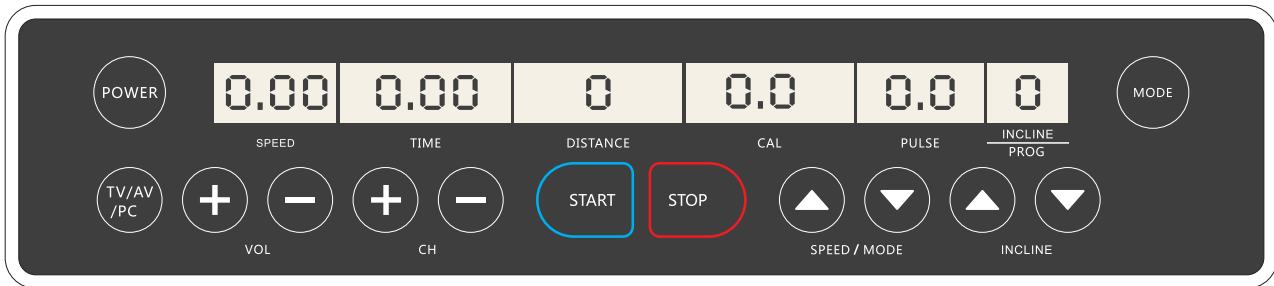


Figure22

1)Keys

Power: Power supply of TV, press this key to start or end TV.

TV/AV/PC: Selection of TV input signals.

Menu: TV menu.

CH+/CH-: Selection of TV channels.

VOL+/VOL-: Adjustment of sound.

2) Function keys

SPEED: Show the speed of exercise. TIME: Show the time of exercise.

DISTANCE: Show the distance of exercise.

CAL: Show the calorie of exercise.

PULSE: Show the heart rate of exercise. INCLINE/PROG: show the
incline/program of exercise.

Emergent Stop Button:

Stop the equipment in an emergency. Directly press this button in urgent circumstances. The end-users could also fasten the clip of cord around the stop button to their clothes when practicing, then it will help stopping the equipment once they are too far from console.

6 . Operation Instruction

Change Speed :

- 1 . Press SPEED▲SPEED▼to Change Speed : when the speed is 0 , press SPEED ▲ to start the treadmill in a speed of 0.8km/h . The speed increases by 0.1km/h each time, if the key is held down one time or continually . The speed decreases by 0.1 km/h each time if the key is held down one time or continually
- 2.Type in speed with the number keys: number keys 0—9 are pressed, and then the corresponding number is showed in the speed window. When the showed number is appropriate speed value, INTER is pressed to select speed. Or it will transfer into speed after two seconds without pressing.

Change Incline:

- 1 . Incline▲: The incline increases by 1 Degree each time
- 2 . Incline▼: The incline decrease by 1 Degree each time

(A) MANUAL: When in standby, press START or SPEED+ to start the equipment. During the exercise, manually change the speed and incline. Press STOP, exercise ends and All data clean out back to zero. The 400 meters runway is displayed in the goal arc and dial. There is a dot blinking which declare your position around the runway. Exercise intensity is displayed in circle goal.

(B) Workouts with Goals: Time, Calorie, Distance, Program.

Select Time Goal: In standby, press MODE and then the number in time window blinks. Press MODE+ -to change time values. Press START or SPEED to start the equipment and select the speed and incline. Time number decreases gradually. When the time value is 0, the equipment is stopped. 400 meters runway is displayed in the goal arc and dial. There is a dot blinking which declare your position around the runway. Exercise intensity is displayed in circle goal.

Select Distance Goal: In standby, press MODE and then the number in distance window blinks. Press MODE+-to change distance values. Press START or SPEED to start the equipment and select the speed and incline. Distance number decreases gradually. When the distance value is 0, the equipment is stopped. 400 meters runway is displayed in the goal arc and dial. There is a dot blinking which declare your position around the runway. Exercise intensity is displayed in circle goal.

Select Calorie Goal: In standby, press MODE and then the number in calorie window blinks. Press MODE+-to change calorie values. Press START or SPEED to start the equipment and select the speed and incline. Calorie number decreases gradually When the calorie value is 0, the equipment is stopped. 400 meters runway is d-isplayed in the goal arc and dial. There is a dot blinking which declare your position -around the runway. Exercise intensity is displayed in circle goal.

Select Workout: Press MODE and then all workouts and numbers are displayed in windows blinks.

Time value displays the used time of exercise. The speed displays the max speed during exercise. The program, window displays program number. Press MODE+-to select program. Press START to start program. In programs, speed and incline are automatically changed and stopped when program is stopped.

Program types: L1, L2, L3 ,L4,A1, A2,A3 ,A4,A5 ,A6,A7, P1, P2, P3, P4, P5. all 16 programs

E.g.select program L4

In standby, press MODE for four times, 5.0 L1 30. 00 are displayed and blinks on Number Window, and the program chart is displayed in lattice windows.Then press MODE for three times, 8.0 L4 30. 00 are displayed and blinking Number Window, and the program chart is displayed in lattice windows. Then press MODE for three times, 8.0 L4 30.00 are displayed and blinks on Number Window, and the program chart is displayed in lattice windows.

Press START to start the program. Display of 8.0 L4 30.00 refer to that: the mass speed is 8.0km/h, the total time is 30 minutes. Program column is the changing speed. When the program is L4, incline and speed are changed automatically, as well as manually, and can stop by press STOP. When program is finished, the treadmill will stop automatically. In the program, it will state the program is proceeding if there is one vertical bars blinking in lattice windows.

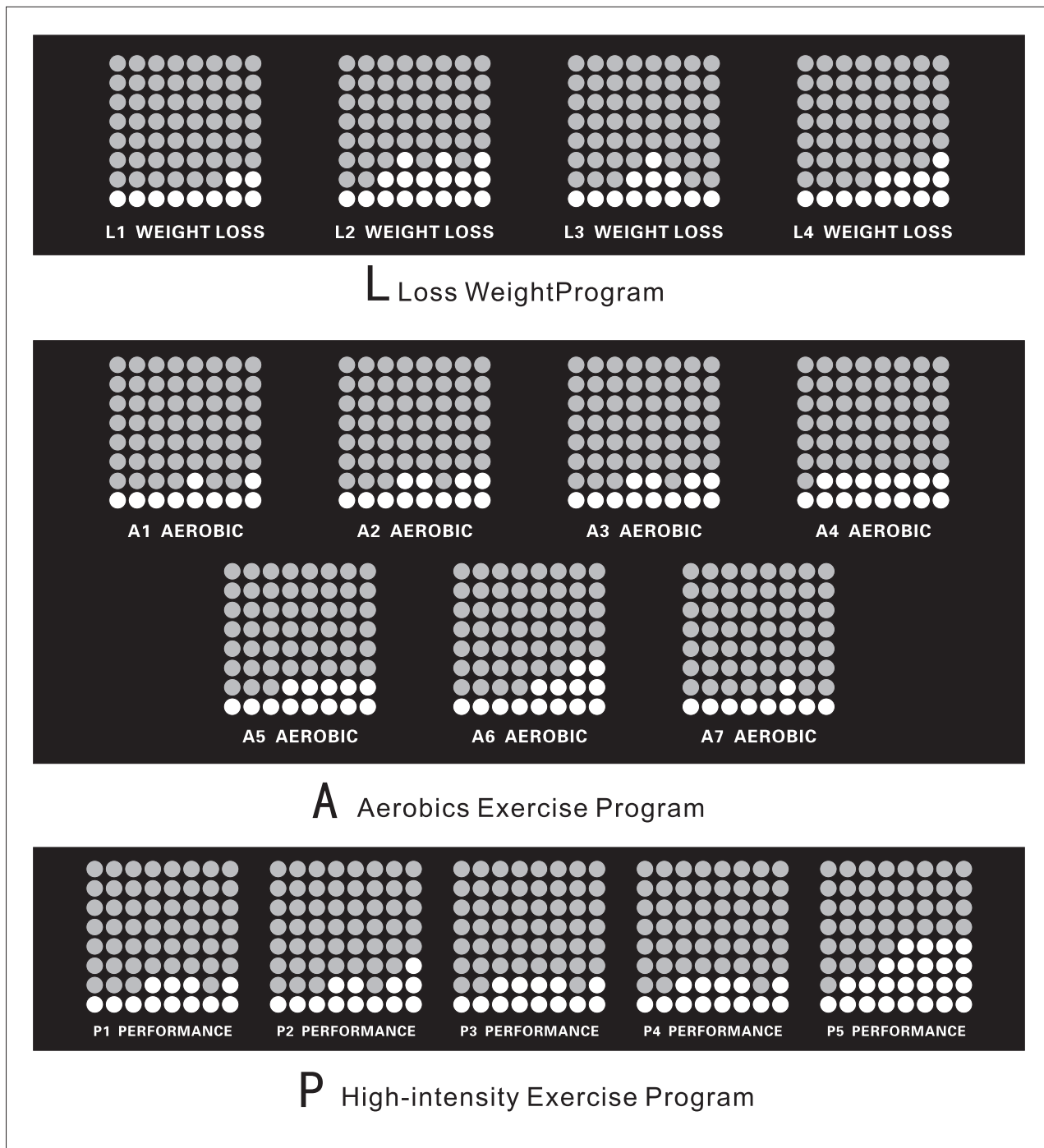


Figure 23
program chart(Transverse is time and length ways is speed)

7. Amount of Exercise Reference

1) Exercise intensity

Please exercise within the range of heart rate in aerobic exercise (see Heart Rate Table).

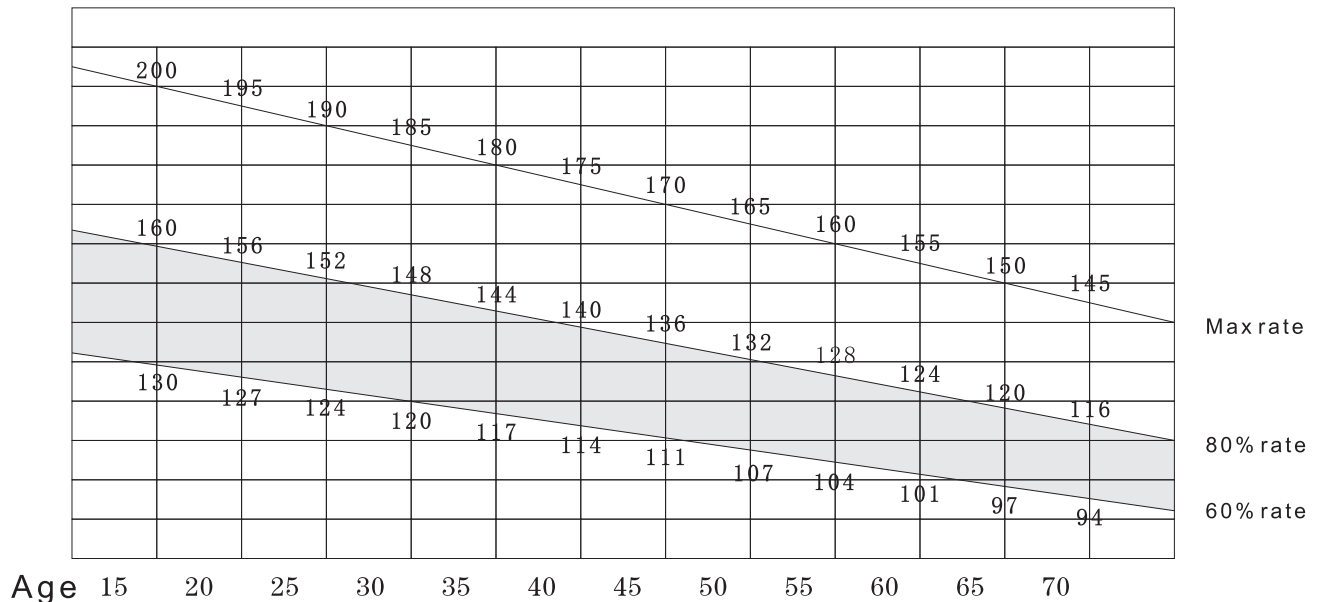
2) Time for exercise

Time for exercise shall be determined in accordance with your physical ability. For the fixed purpose of aerobic exercise, you are supposed to exercise for at least 15-20 minutes within the suitable range of heart rate. Before exercise, warm up for a few minutes, and then slowly adjust your heart rate. In the later period of exercise, slowly reduce the amount of exercise to calm the body.

3) Time interval

Exercise 3-5 times a week to reach the optimal effect of aerobic exercise. It's quite important that between every two times, there shall be interval of at least 24 hours for full relaxation of your body.

Heart Rate Table



8. Daily Maintenance

1) Cleaning

Turn off the power, cramp out the power plug.

Wipe the plastic components by mild detergent and restart the treadmill after the components are completely dry. Wipe the dirt on the running d-eck by dry cloth to prolong service life f the treadmill. Clean the surface of running belt by a soft nylon brush. Clean the running deck and surface once every month, open motor cover, then absorb dust with a vacuum cleaner.

Warning: Power must be disconnected and power plug must be cramped out before cleaning. Adjustment of running belt.

2) Belt Adjusting

The running belt shall not shift to left to right. Before leaving workplace, the running belt shall be adjusted in place. Damages may be caused to the treadmill by displacement of the running belt due to improper freight or application. Therefore, before using, please check if the running belt is in place.

Warning: Nobody shall be standing on the belt in the process of adjustment.

Displacement of the running belt may cause damage to the belt, so before using, it must be adjusted according to the following program (see Figure 13), or else the damage of components is not the scope of warranty.

Start the treadmill (speed: 1km/h), ensure the running belt is the central part and run it for 60 seconds.

If the running belt has shifted to the left or right, please turn off the power and adjust it immediately.

If the running belt has shifted to the right, turn the left rear roller adjustment bolt clockwise by the hexagon wrench, and then turn the right shifts, 1/4 of a turn each (see figure 24). Next run the treadmill for 60 seconds. If the belt is still shifts, it should be adjusted again, until adjust to be central. Each adjustment should not exceed 1/4 of a turn.

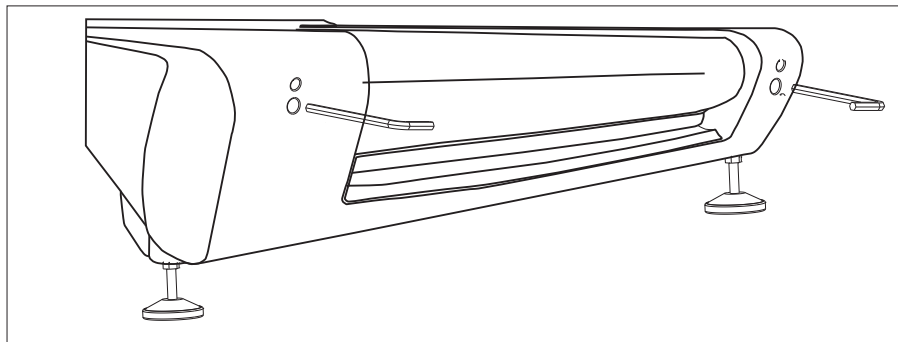


Figure 24

3) Regular exam

If pauses are felt in the running process, it indicates that the belt is too loose, There is slip between running belt and roller.

Adjust the adjustment bolt at both sides of the belt until it meets the requirments, The standard of the degree of tightness is as follows: pull up the running belt in the middle with handheld weight of 3-5kg and 15mm between the running board and hand. (See Figure 25)

Warning: If the running belt is adjusted too tightly, it will damage the axis, bearing and running belt.

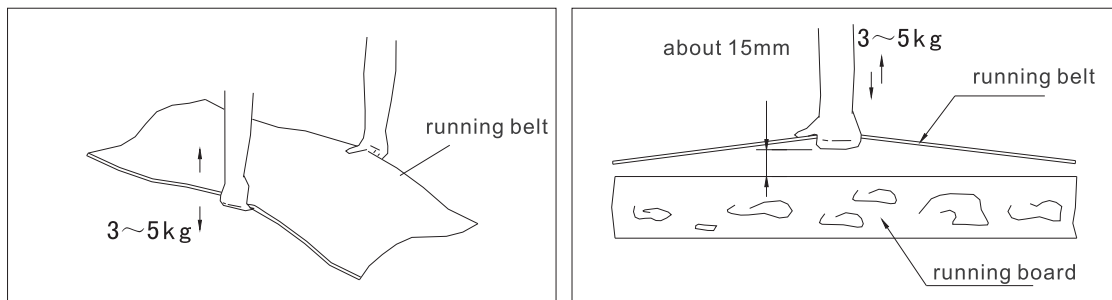


Figure 25

4)Regular Lubrication

Lubricate the running belt with 30ml silicone oil supplied by manufacturing factory after the treadmill is used over 50 days.

(Incline to be zero position) Shale equably and put in silicone oil to the compressor gun, insert the lubricating nipple to the lubricating hole deeply, press 8 time for both left and right lubricating hole volume (30ml).

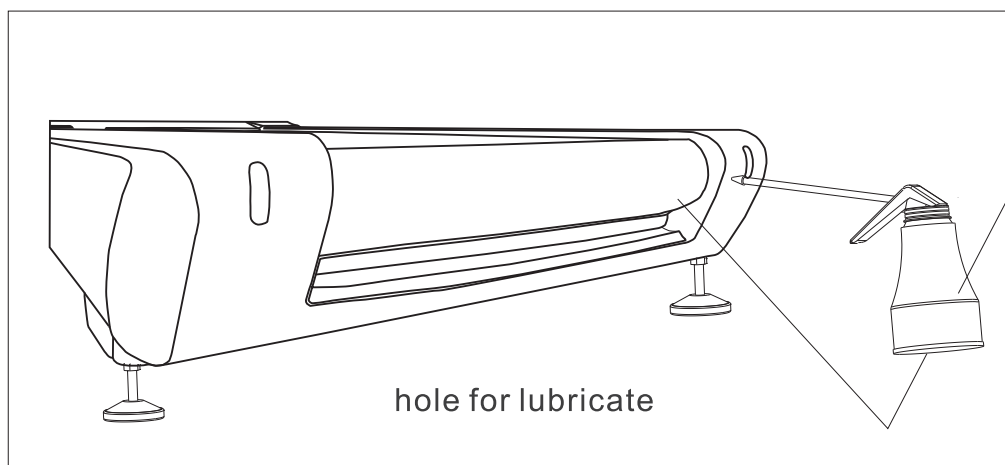


Figure 26

9. Maintenance Guide for Common Faults

Symptom	Possible Cause	Solution
After switch on, no display on the console	1. The power plug is not inserted in place. 2. The fuse may break.	1. Reinsert the plug 2. Change the fuse (8A) 3. Contact the dealer
The running belt slips when walked on.	The running belt is too loose.	Adjust the running belt in correct way
Very noisy and shaky during exercise	1. Equipment is not properly leveled. 2. The rear legs are not leveled. 3. Worn belt. 4. Damaged bearings	1. Adjust the rear legs 2. Adjust the rear legs 3. Contact Technical Support Service 4. Contact Technical Support Service

10. Storage

If a long period of non-use is expected, you are advised to store the equipment in the following way:

--in a clean and dry place, clean surface dust

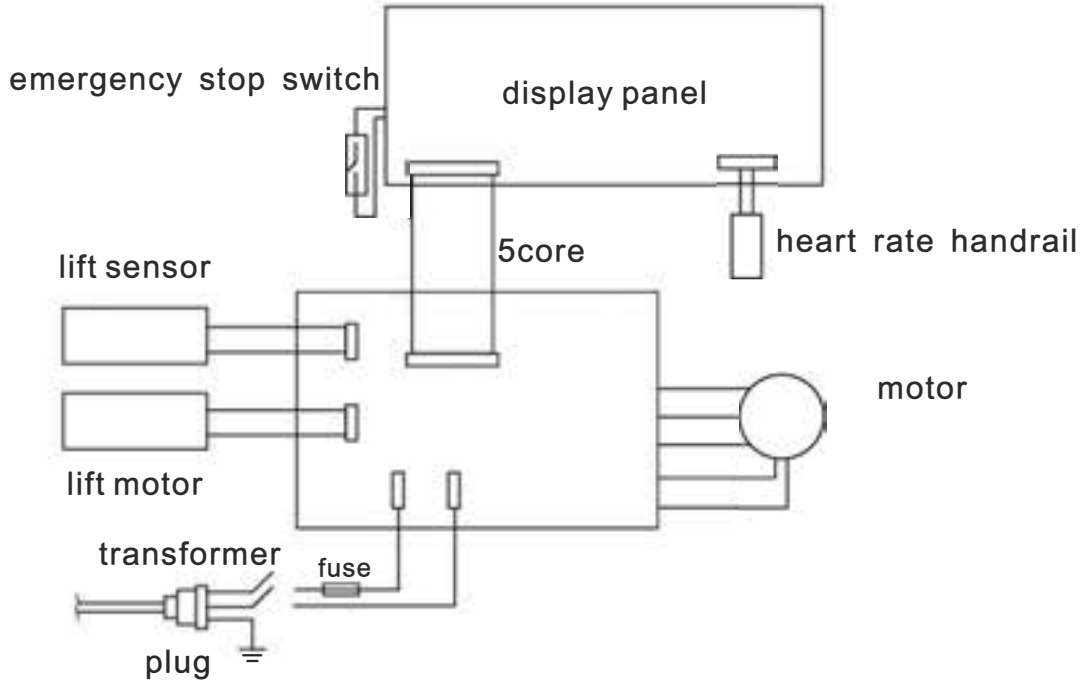
--at a room temperature between -10°C and 70°C , and the relative humidity between 20% and 90%.

--Storage in the original packing is recommended.

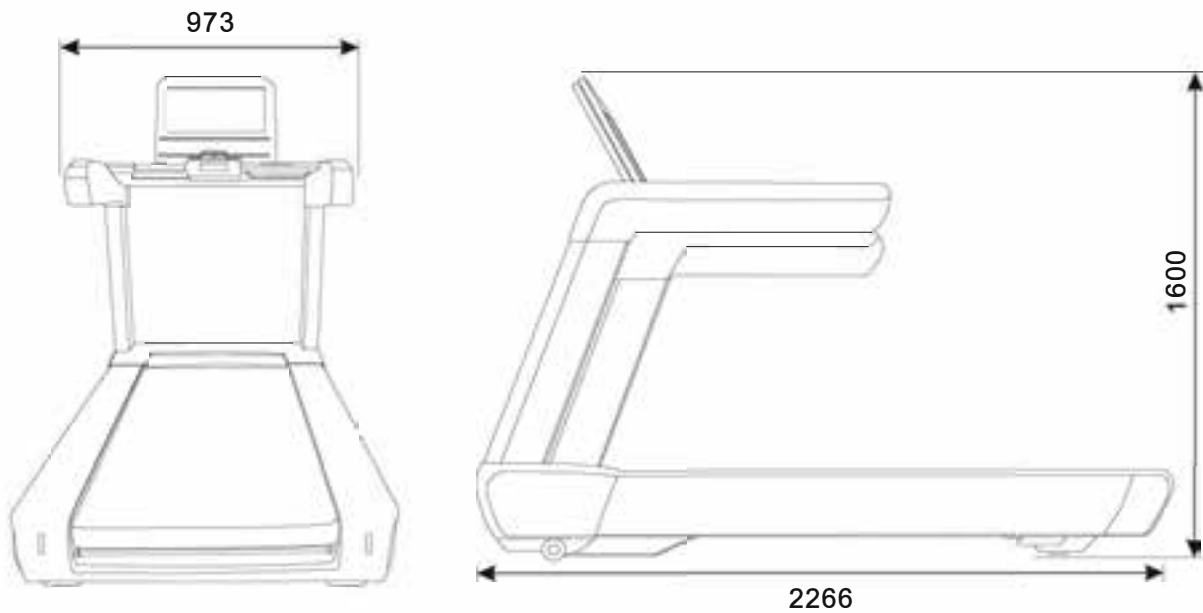
Warning: Repairs/Maintenance of the equipment carried out by persons not authorized by our company will invalidate date the warranty.

11. Circuite diagram and dimension

AC Connecting Chart



size drawing



unit:mm