

# PENDULUM SQUAT (PL-PV2-PS)



POWER LEVERAGE **V2**

INSTALLATION MANUAL

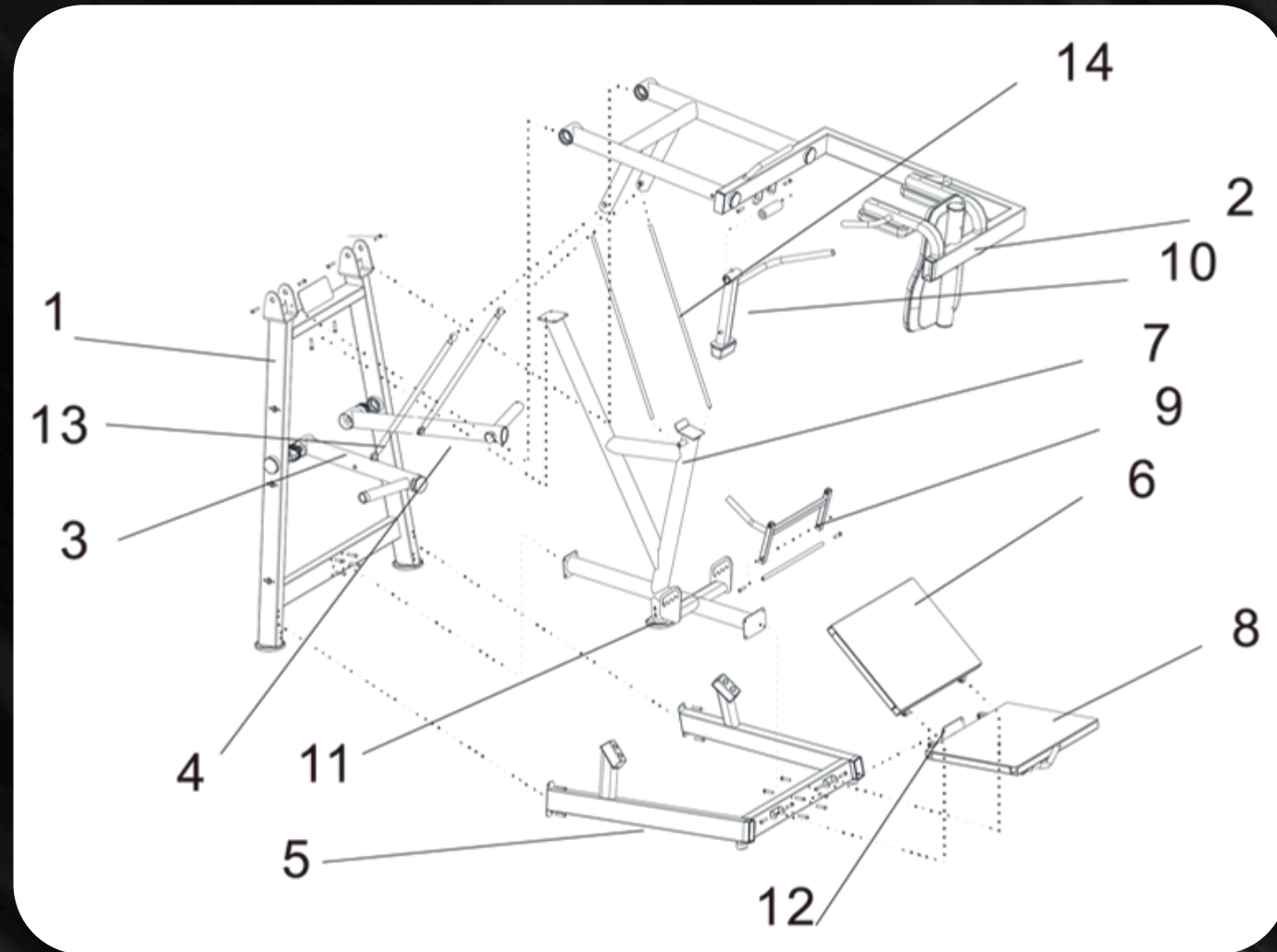
 [WWW.MUSCLEDFIT.COM](http://WWW.MUSCLEDFIT.COM)

11/49 PIECES

# PENDULUM SQUAT (PL-PV2-PS)



| No. | Name                                | Unit | Qty. |
|-----|-------------------------------------|------|------|
| 1   | main frame component                | pcs  | 1    |
| 2   | pivot arm component                 | pcs  | 1    |
| 3   | Plate arm component 1               | pcs  | 1    |
| 4   | Plate arm component 1               | pcs  | 1    |
| 5   | base component                      | pcs  | 1    |
| 6   | footerst component 1                | pcs  | 1    |
| 7   | limit stop component                | pcs  | 1    |
| 8   | footerst component 2                | pcs  | 1    |
| 9   | rod support component               | pcs  | 1    |
| 10  | limit stop control handle component | pcs  | 1    |
| 11  | footpad component                   | pcs  | 1    |
| 12  | front gearshift plate component     | pcs  | 1    |
| 13  | pulling rod component               | pcs  | 2    |



## INSTALLATION MANUAL

**POWER  
LEVERAGE V2**



[WWW.MUSCLEDFIT.COM](http://WWW.MUSCLEDFIT.COM)