

# JAMMER (PL-PV2-J)



POWER LEVERAGE **V2**

INSTALLATION MANUAL

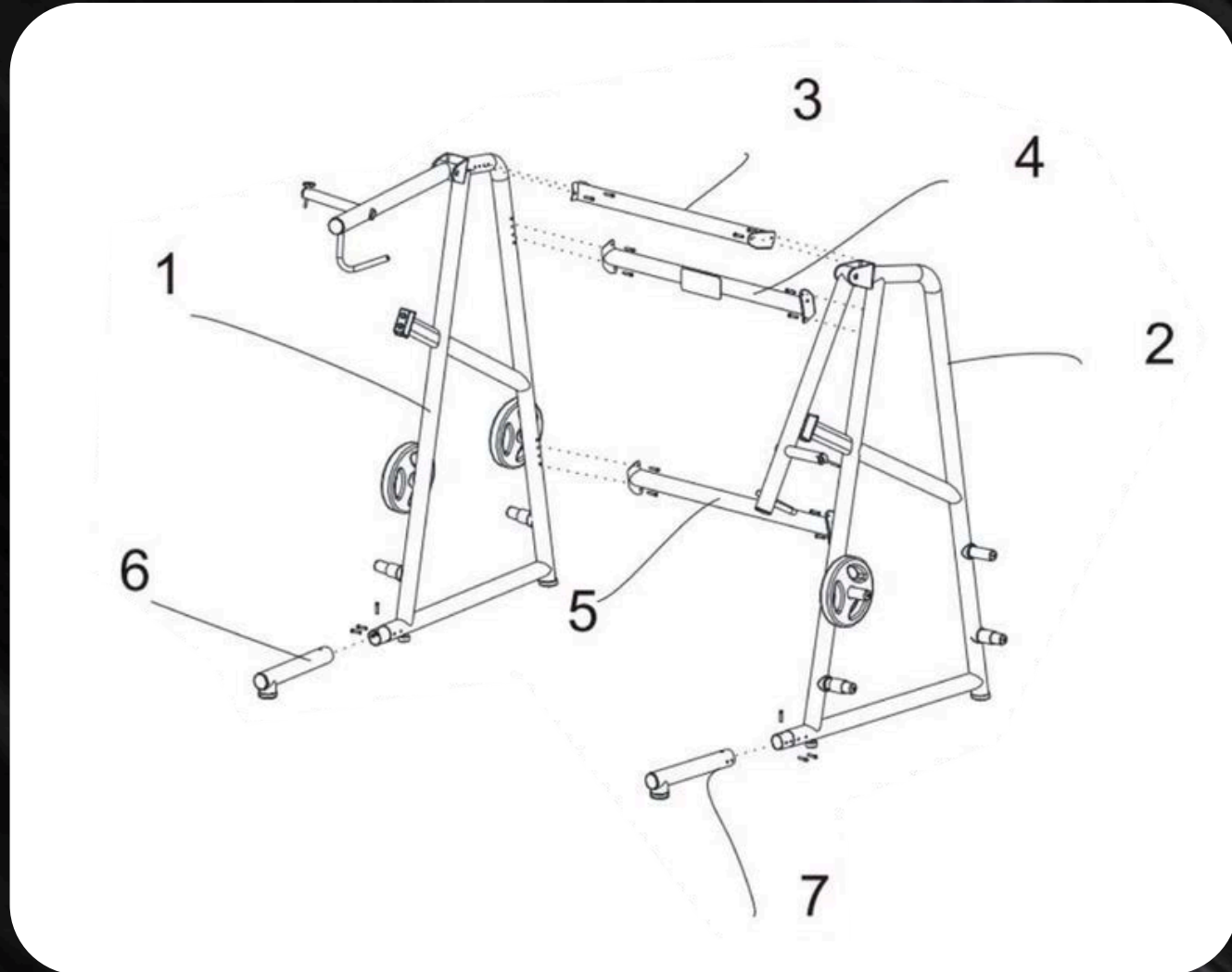
 [WWW.MUSCLEDFIT.COM](http://WWW.MUSCLEDFIT.COM)

25/49 PIECES

# JAMMER (PL-PV2-J)



| No. | Name                         | Unit | Qty. |
|-----|------------------------------|------|------|
| 1   | left frame component         | pcs  | 1    |
| 2   | right frame component        | pcs  | 1    |
| 3   | upper connector tube         | pcs  | 1    |
| 4   | middle connector tube        | pcs  | 1    |
| 5   | bottom connector tube        | pcs  | 1    |
| 6   | left bottom stand component  | pcs  | 1    |
| 7   | right bottom stand component | pcs  | 1    |



## INSTALLATION MANUAL