

ISO-LATERAL SPRINT TRAINER (PL-PV2-ST)



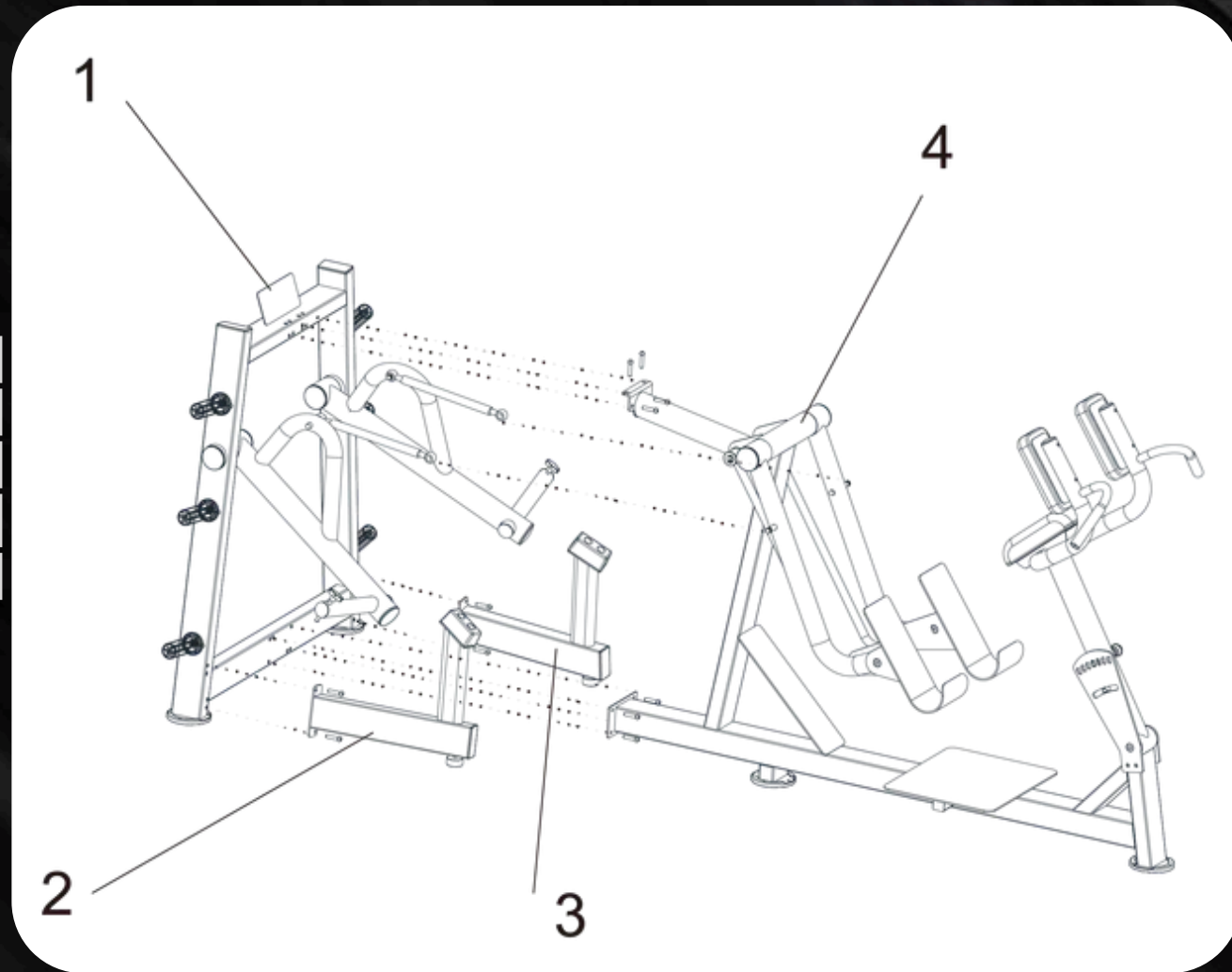
POWER LEVERAGE **V2**

INSTALLATION MANUAL

 WWW.MUSCLEDFIT.COM

7/49 PIECES

ISO LATERAL SPRINT TRAINER (PL-PV2-ST)



No.	Name	Unit	Qty.
1	main frame component	pcs	1
2	side pipe component 1	pcs	1
3	side pipe component 2	pcs	1
4	front component	pcs	1

INSTALLATION MANUAL

POWER
LEVERAGE **V2**



WWW.MUSCLEDFIT.COM