

ISO-LATERAL DIP (PL-PV2-DP2)



POWER LEVERAGE **V2**

INSTALLATION MANUAL

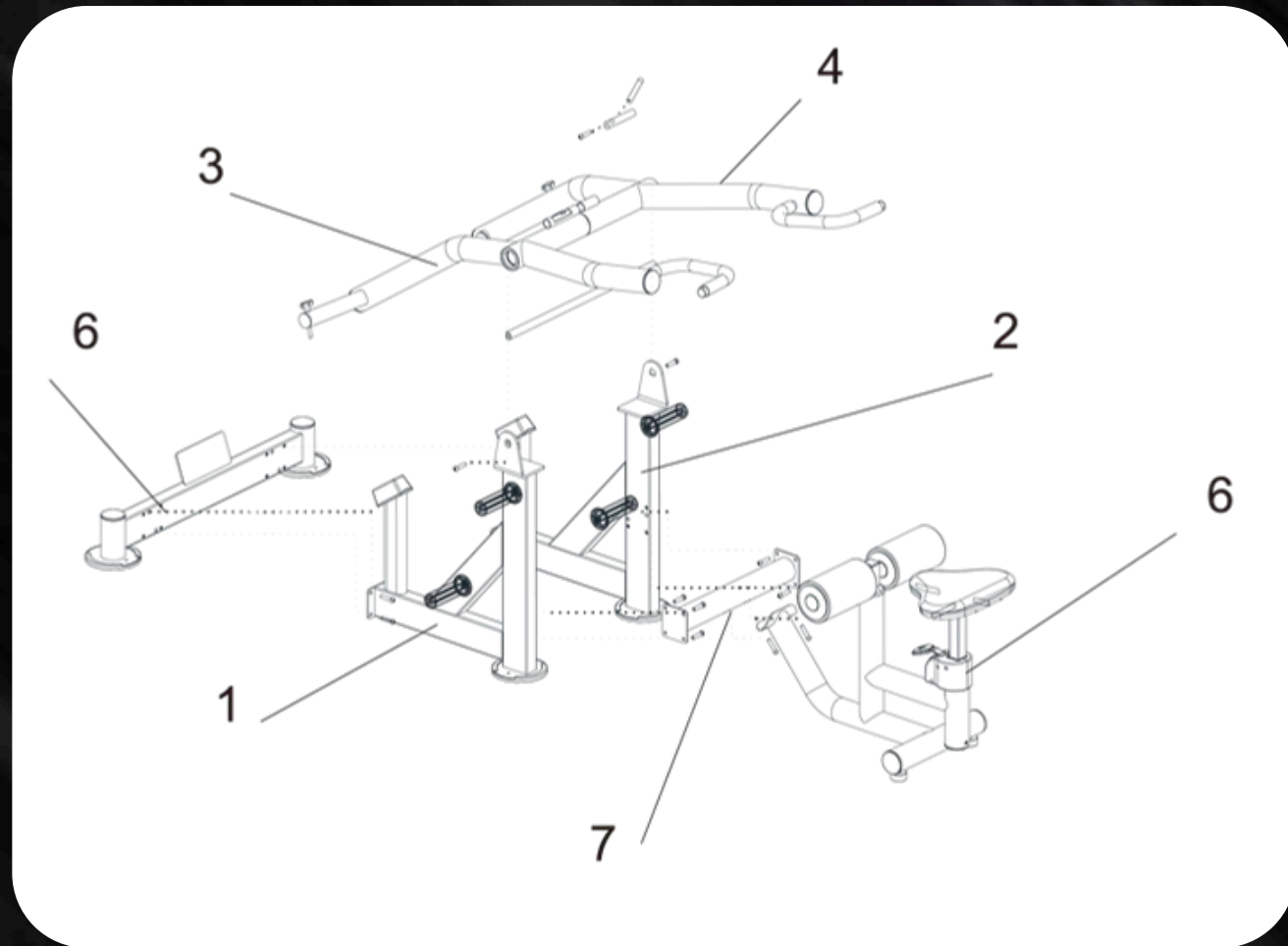
 WWW.MUSCLEDFIT.COM

40/49 PIECES

HEAVY DUTY DIP (PL-PV2-DP2)



No.	Name	Unit	Qty.
1	vertical column component 1	pcs	1
2	vertical column component 2	pcs	1
3	pivot arm component 1	pcs	1
4	pivot arm component 2	pcs	1
5	seating component	pcs	1
6	base connector component	pcs	1
7	connector component	pcs	1



INSTALLATION MANUAL

**POWER
LEVERAGE** **V2**

 WWW.MUSCLEDFIT.COM