

DECLINE CONVERGENT BENCH (PL-PV2-DCB)



POWER LEVERAGE **V2**

INSTALLATION MANUAL

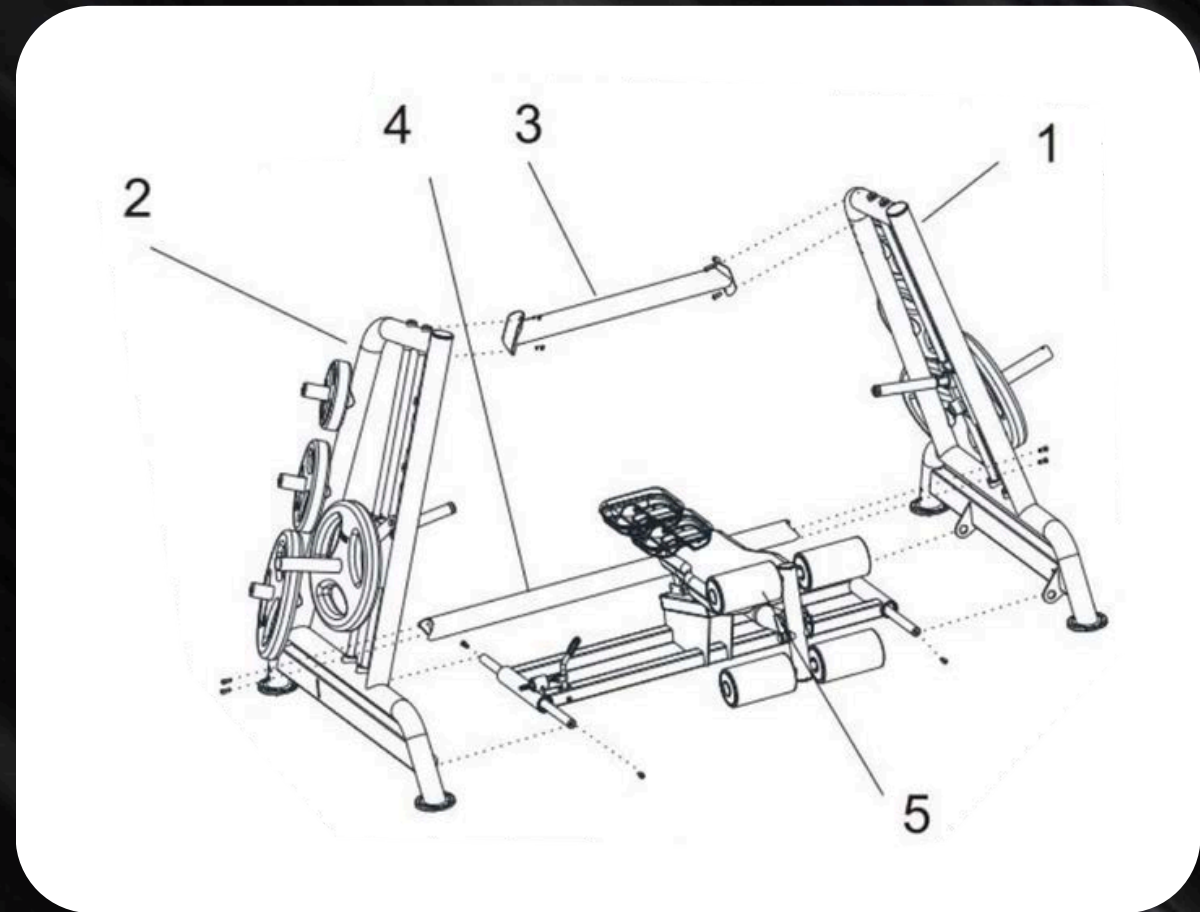
 WWW.MUSCLEDFIT.COM

15/49 PIECES

DECLINE CONVERGENT BENCH (PL-PV2-DCB)



No.	Name	Unit	Qty.
1	left frame component	pcs	1
2	right frame component	pcs	1
3	Back connector	pcs	1
4	Bottom connector	pcs	1
5	seat component	pcs	1



INSTALLATION MANUAL

POWER
LEVERAGE **V2**

 WWW.MUSCLEDFIT.COM