

DECLINE CHEST PRESS (PL-PV2-DCP)



POWER LEVERAGE **V2**

INSTALLATION MANUAL

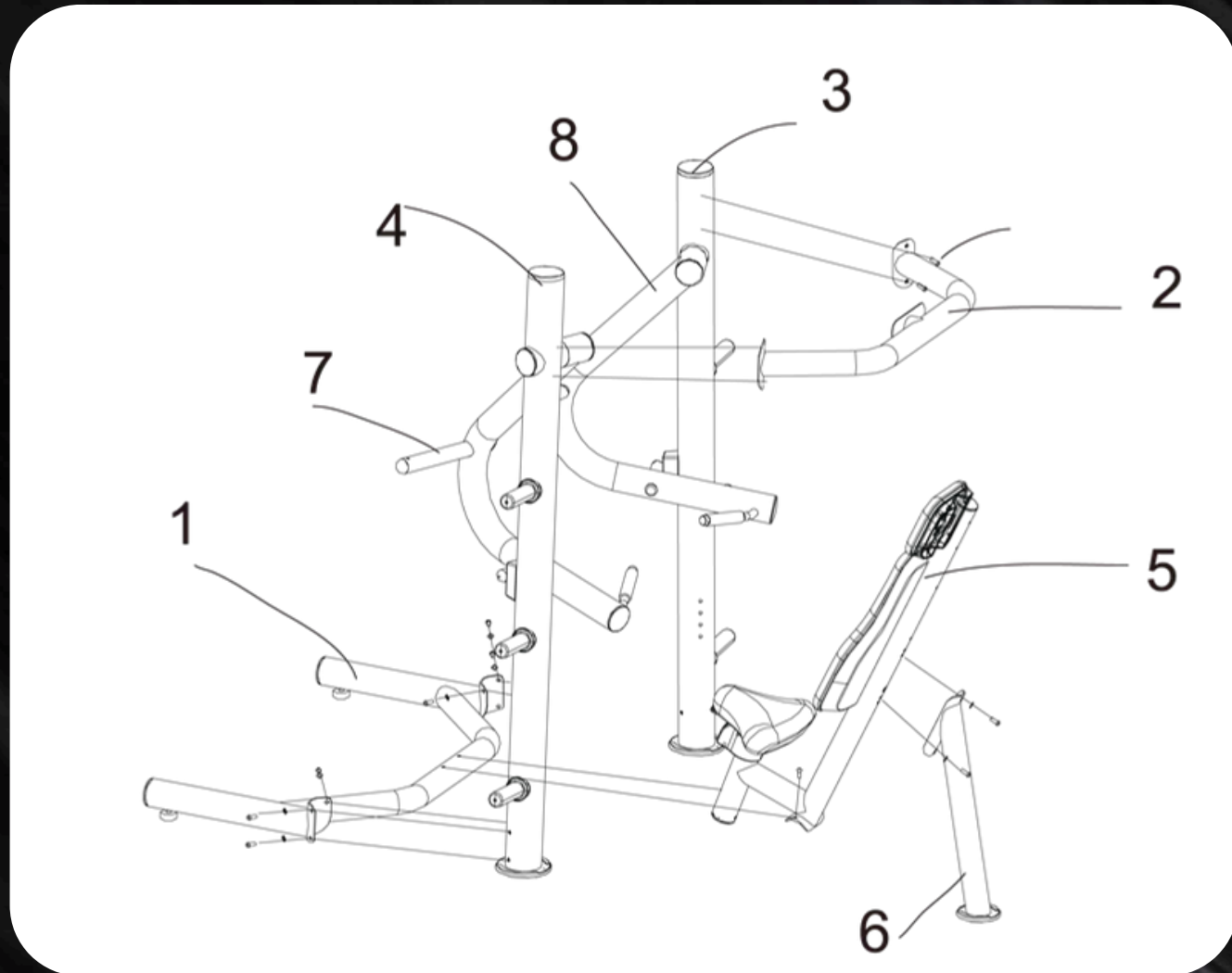
 WWW.MUSCLEDFIT.COM

19/49 PIECES

DECLINE CHEST PRESS (PL-PV2-DCP)



No.	Name	Unit	Qty.
1	base component	pcs	1
2	upper beam component	pcs	1
3	left column component	pcs	1
4	right column component	pcs	1
5	seat component	pcs	1
6	seat support component	pcs	1
7	left arm component	pcs	1
8	right arm component	pcs	1



INSTALLATION MANUAL

POWER
LEVERAGE **V2**

 WWW.MUSCLEDFIT.COM