

BELT SQUAT (PL-PV2-BS)



POWER LEVERAGE **V2**

INSTALLATION MANUAL

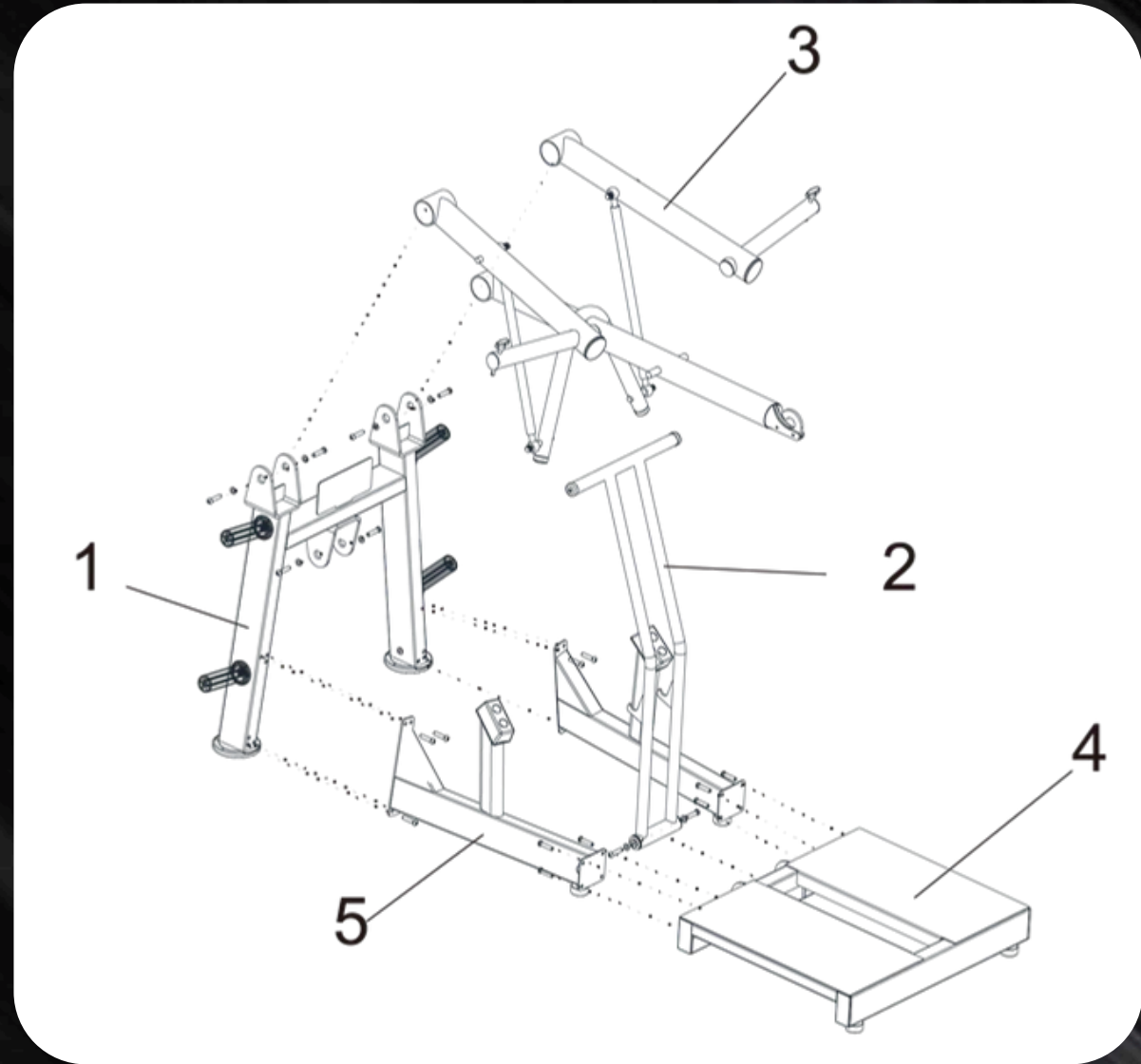
 WWW.MUSCLEDFIT.COM

10/49 PIECES

BELT SQUAT (PL-PV2-BS)



No.	Name	Unit	Qty.
1	main frame component	pcs	1
2	handle component	pcs	1
3	arm component	pcs	1
4	footrest component	pcs	1
5	arm support component	pcs	2



INSTALLATION MANUAL

POWER
LEVERAGE **V2**

 WWW.MUSCLEDFIT.COM