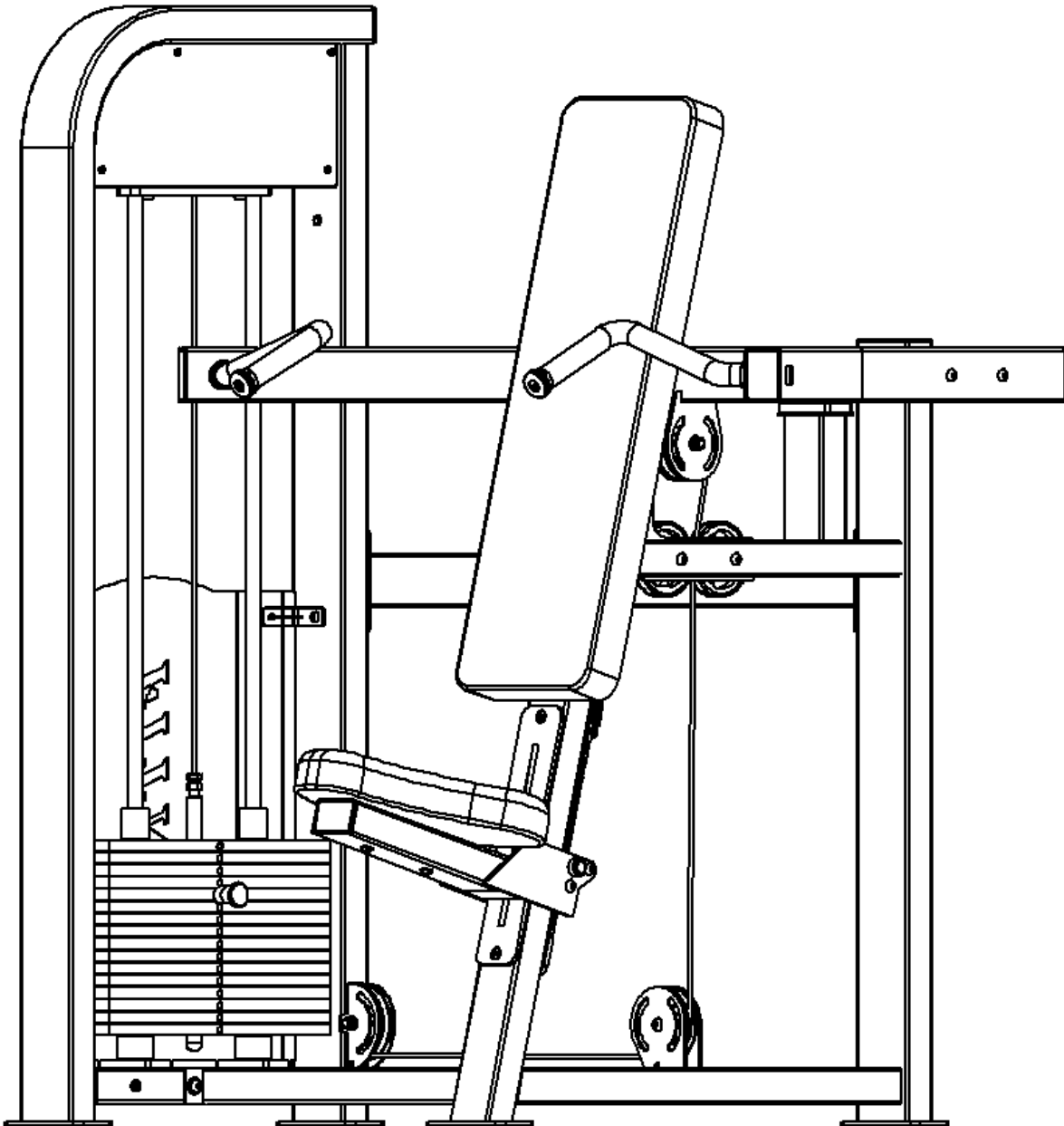




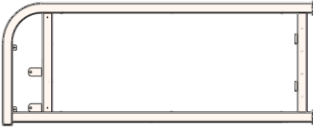
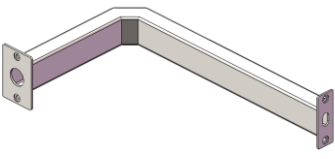
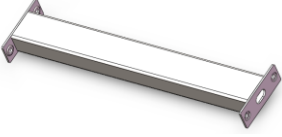
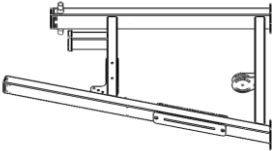
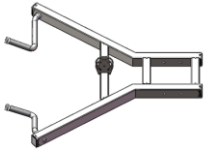
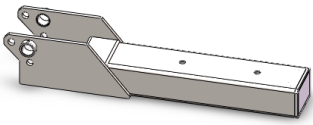
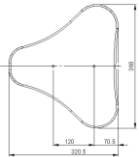

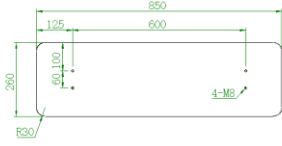

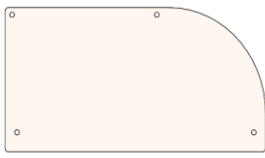

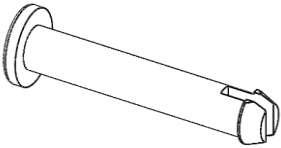
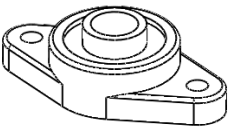
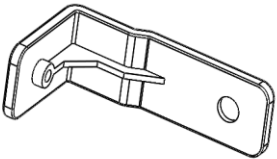
EXCEL SHOULDER PRESS (S-EX-SP)



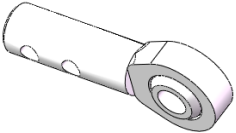


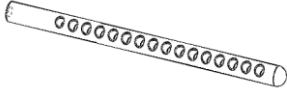

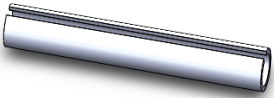
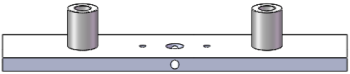

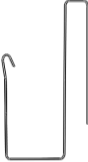



INSTALLATION MANUAL


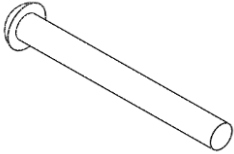
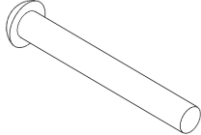
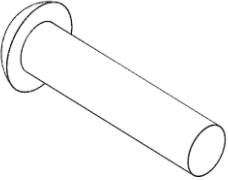
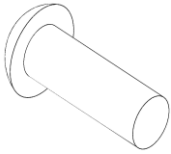
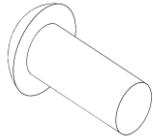
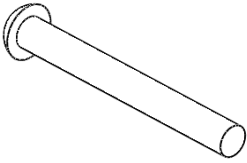
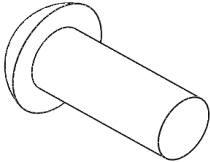
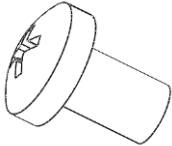
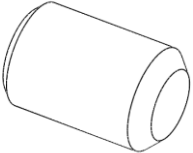
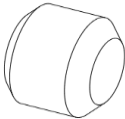
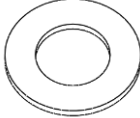

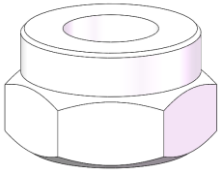
WWW.MUSCLEDFIT.COM

Parts list (individual packaging)

					
No.1	Small door assembly*1pc	No.2	upper connection components*1pc	No.3	Lower connection components*1pc
					
No.4	Main frame components*1pc	No.5	boom assembly*1pc	No.6	Seat assembly*1pc
					
No.7	Triangular cushion*1pc	No.8	Card shaft*1pc	No.9	large backrest*1pc
					
No.10	pulley*2pcs	No.11	label board*2pcs	No.12	Cover*1pc
					
No.13	Card rope pin*1pc	No.14	Bearing*2pcs	No.15	small mount*4pcs

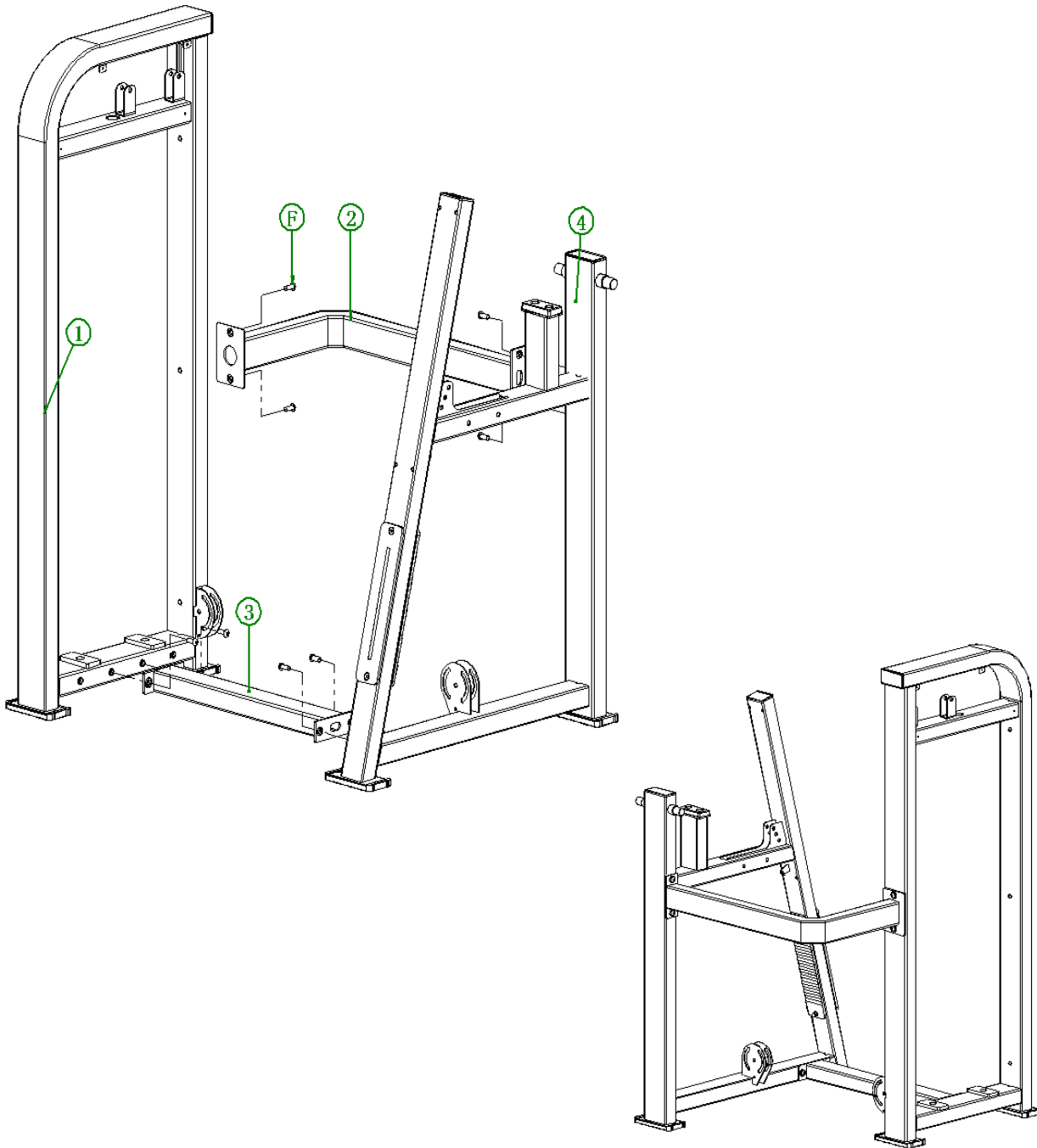
					
No.16	Optical axis fixing plate*1pc	No.17	Extension spring*1pc	No.18	Joint bearing*1pc
					
No.19	Φ20*1217 guide rod*2pcs	No.20	rubber column*2pcs	No.21	15 hole center pole*1pc
					
No.22	Counterweight latch*1pc	No.23	10*70cotter pin*1pc	No.24	Counterweight assembly*1pc
					
No.25	Pin*15pcs	No.26	Cable*1pc	No.27	Card rope set*2pcs

Blister package screw list

					
A	M10*105 Round Head Screws*2pcs	B	M10*90 Round Head Screws*2pcs	C	M10*80 Round Head Screws*4pcs
					
D	M10*45 Round Head Screws*6pcs	E	M10*30 Round Head Screws*2pcs	F	M10*25 Round Head Screws*8pcs
					
G	M8*70 Round Head Screws*6pcs	H	M8*20 Round Head Screws*4pcs	I	5*8 Phillips round head screw*8pcs
					
J	8*12 top wire*4pcs	K	6*5 top wire*2pcs	L	Φ10Nut*34pcs
					
M	Φ8Nut*8pcs	N	M10Locknut*14pcs		

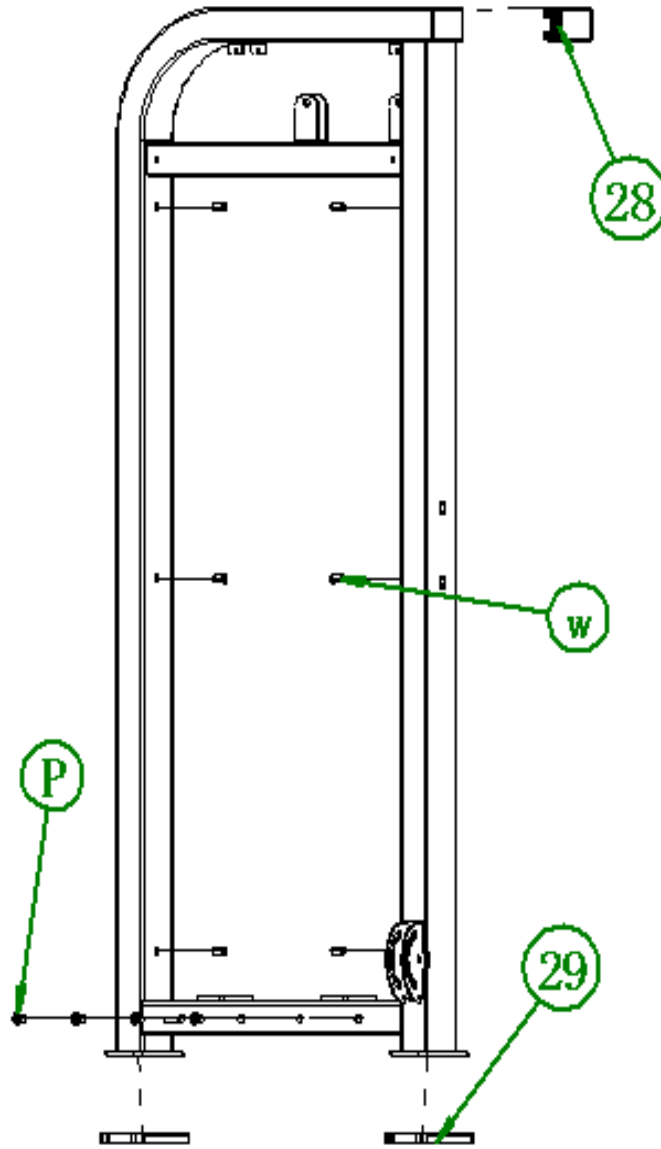
Assembly steps

Step	No.	Name	QTY	No.	Name	QTY
1	No.1	Small door welding components	1	F	M10*25 Round Head Screws	8
	No.2	upper connection components	1			
	No.3	Lower connection components	1			
	No.4	Main frame components	1			



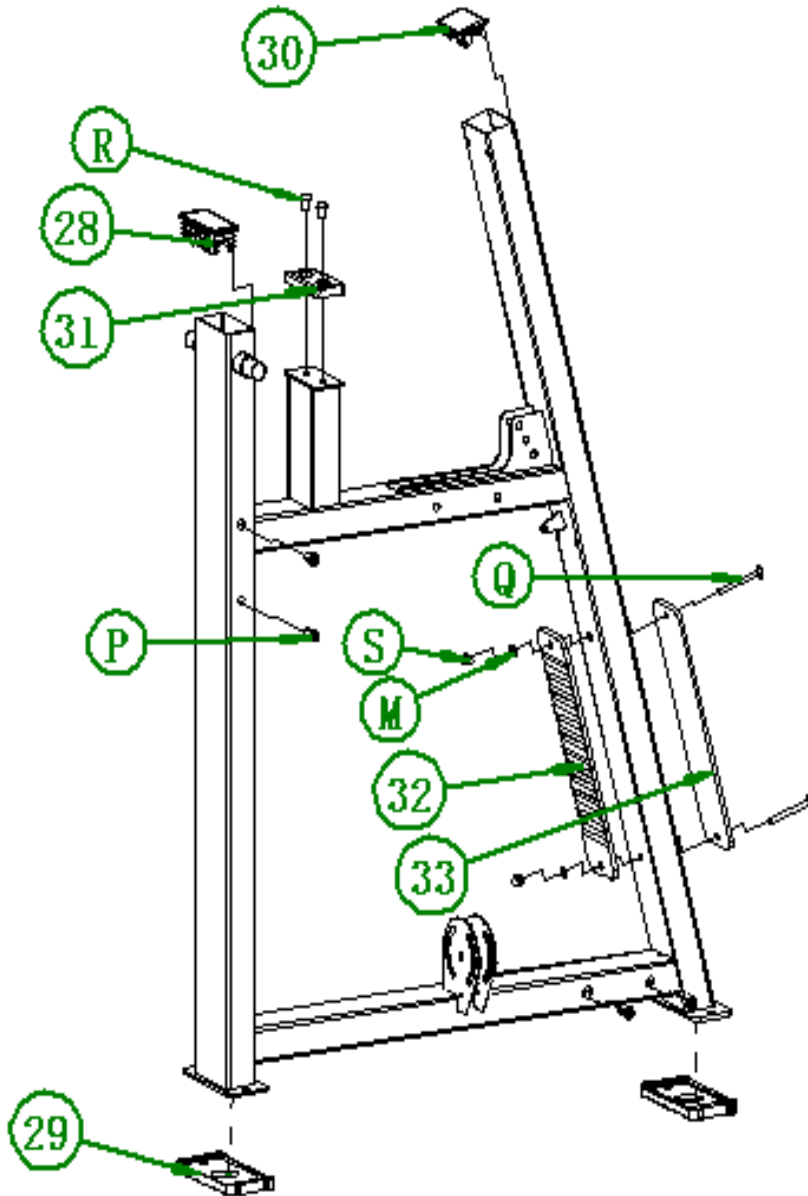
No.1 Small door welding components*1pc

Step	No.	Name	QTY	No.	Name	QTY
	No.28	50*100 square pipe plug	1	W	M8Rivet	6
	No.29	Foot cover	2	P	M10Rivet	4



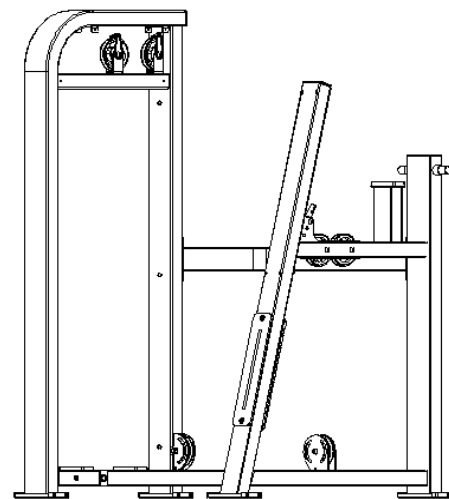
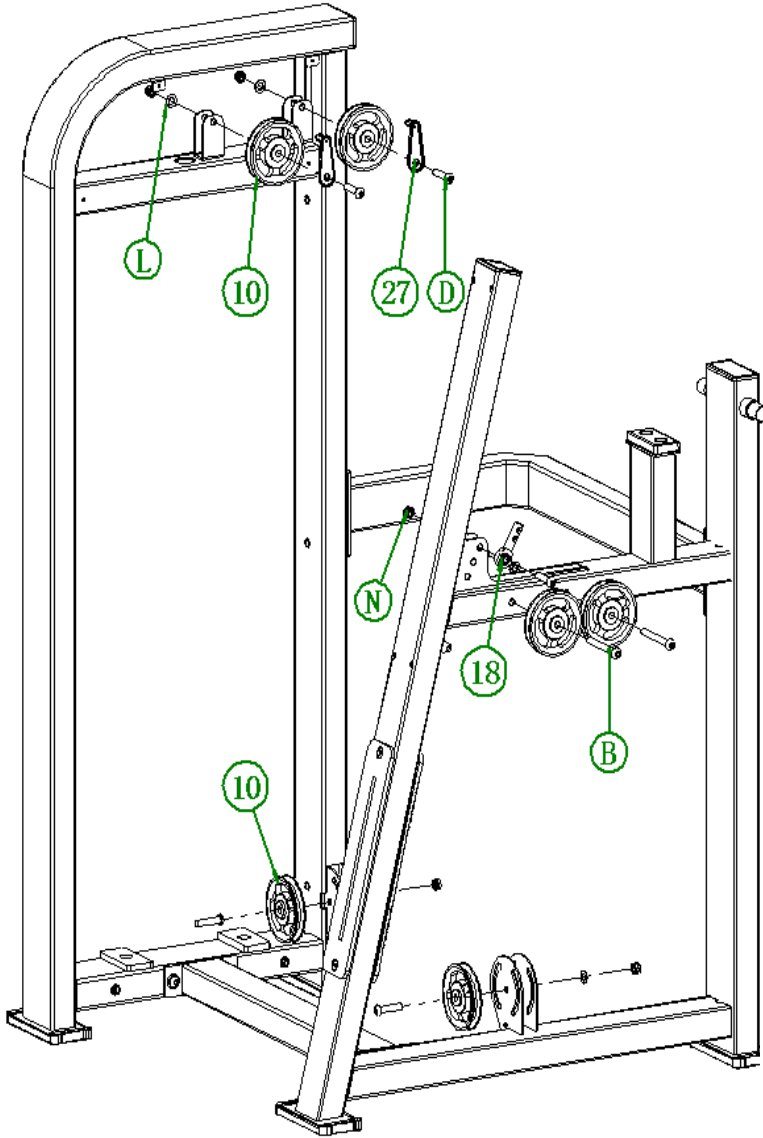
No.4 Main frame components*1pc

Step	No.	Name	QTY	No.	Name	QTY
	No.28	50*100 square pipe plug	1	No.33	seat card plate	1
	No.29	feet	2	P	M10Rivet	4
	No.30	50*75 square pipe plug	1	R	M10 10 Round head Screws	2
	No.31	Cushion	1	Q	M8*75flat head screw	2
	No.32	Seat gear plate	1	S	M8 nut	2
				M	Ø8Gasket	2



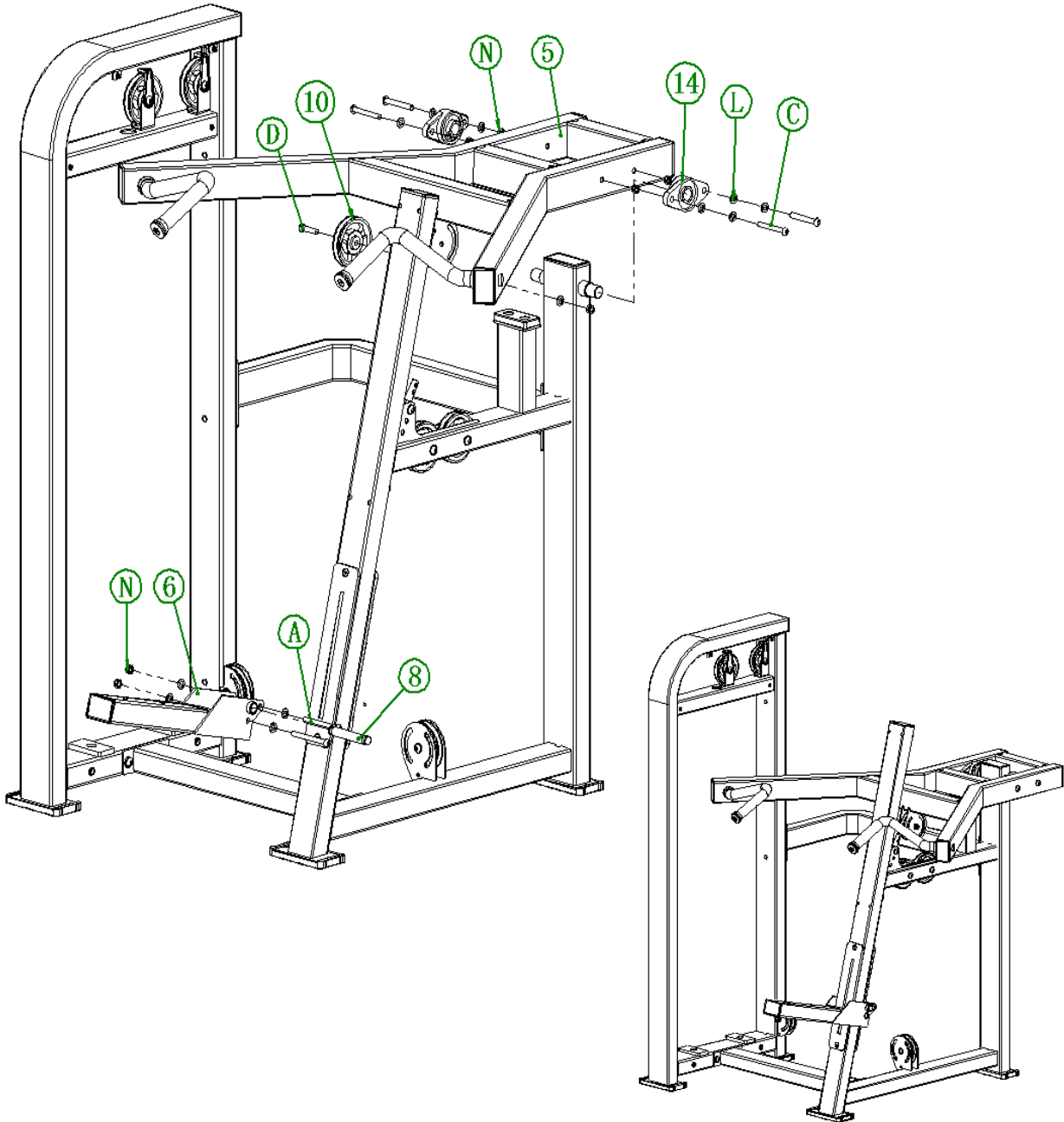
Assembly steps

Step	No.	Name	QTY	No.	Name	QTY
2	No.10	Pulley	6	L	Ø10Nut	4
	No.18	M10Joint bearing	1	D	M0*45 Round Head Screws	5
	No.17	Card rope set	2	B	M10*90Round Head Screws	2
	No.13	Card rope pin	2	N	M10Locknut	7



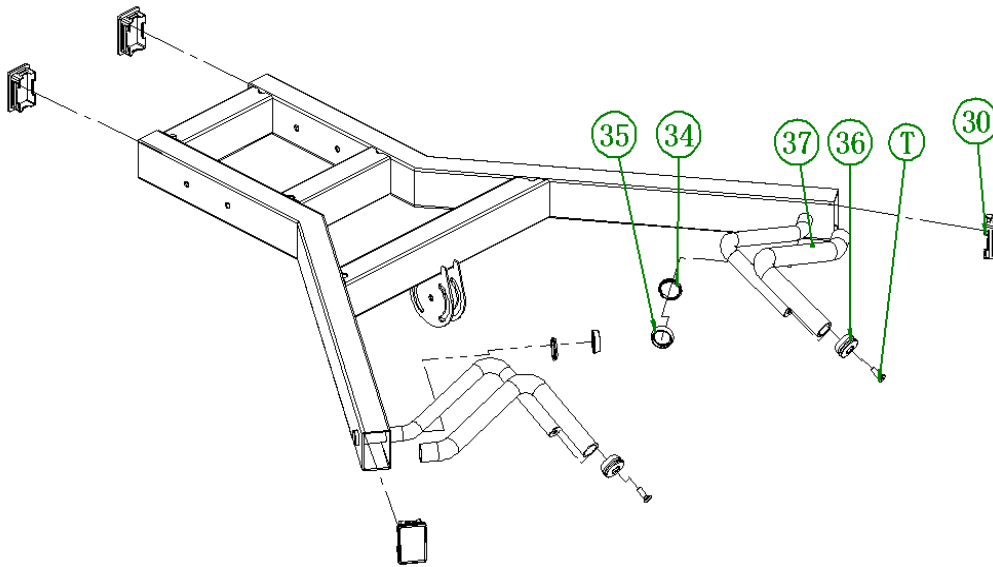
Assembly steps

Step	No.	Name	QTY	No.	Name	QTY
3	No.6	Seat assembly	1	No.10	pulley	1
	No.8	Card shaft	1	A	M0*105 Round Head Screws	2
	No.5	boom assembly	1	N	M10Locknut	7
	No.14	Bearing	2	D	M10*45Round Head Screws	1
	C	M10*80Round Head Screws	4	L	Ø10Gasket	16



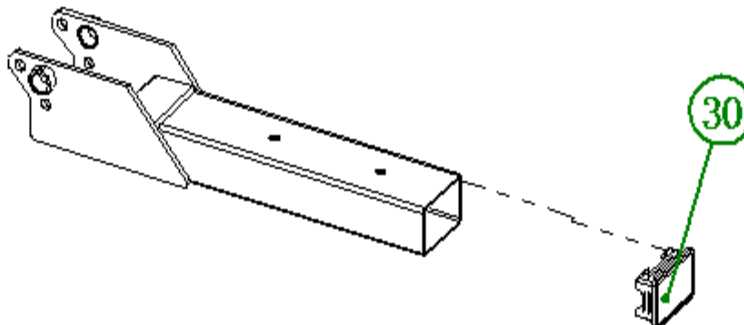
No.5 boom assembly*1pc

Step	No.	Name	QTY	No.	Name	QTY
	No.35	25-5After the five-piece suit	2	No.30	50*75 Silencer	4
	No.34	25-2 yellow spacer	2	No.37	Not torn	2
	No.36	Aluminum end cap	2	T	M8*25flat head screw	2



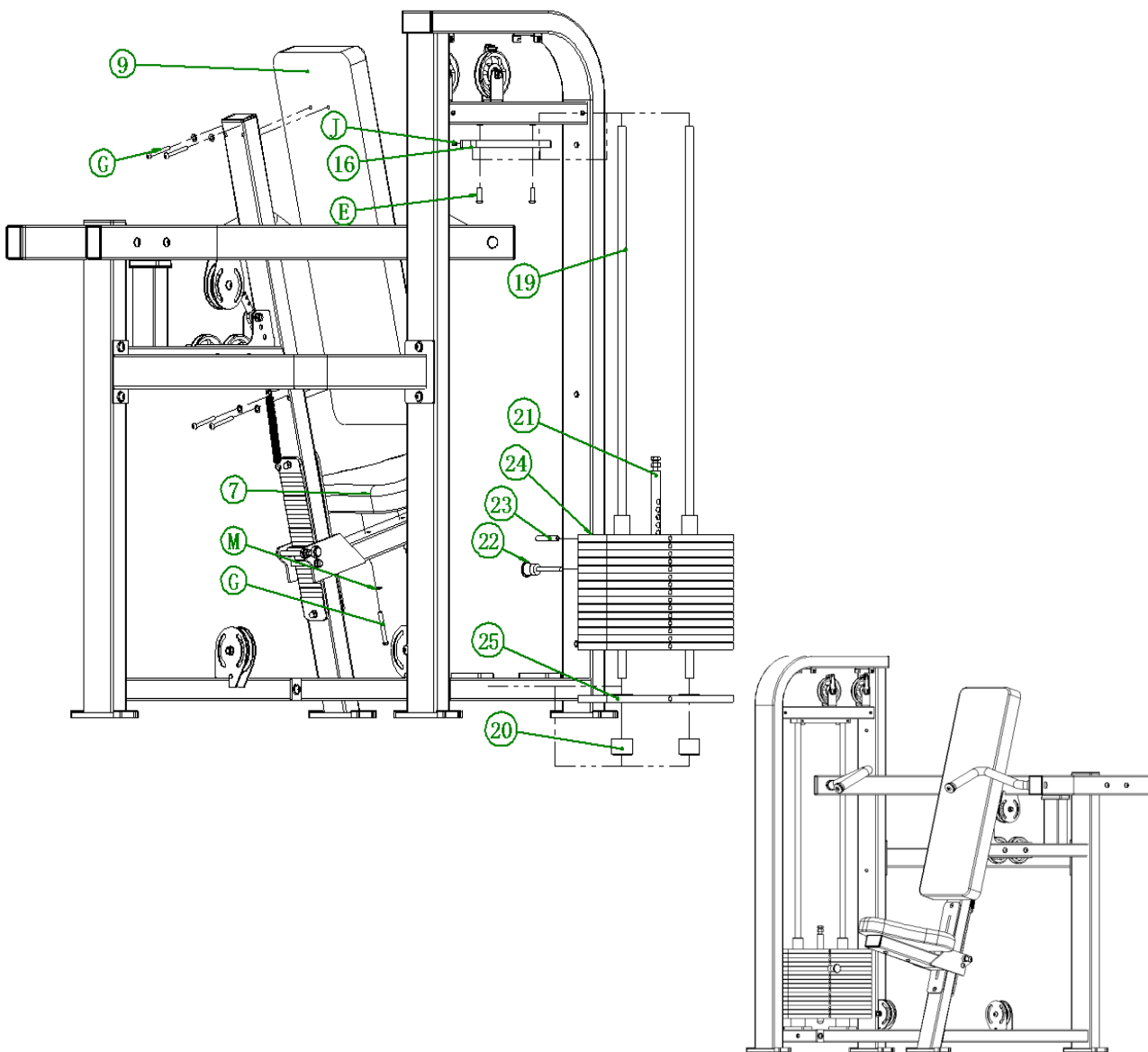
No.6 Seat Assembly*1pc

Step	No.	Name	QTY	No.	Name	QTY
	No.30	50*75 square pipe plug	1			



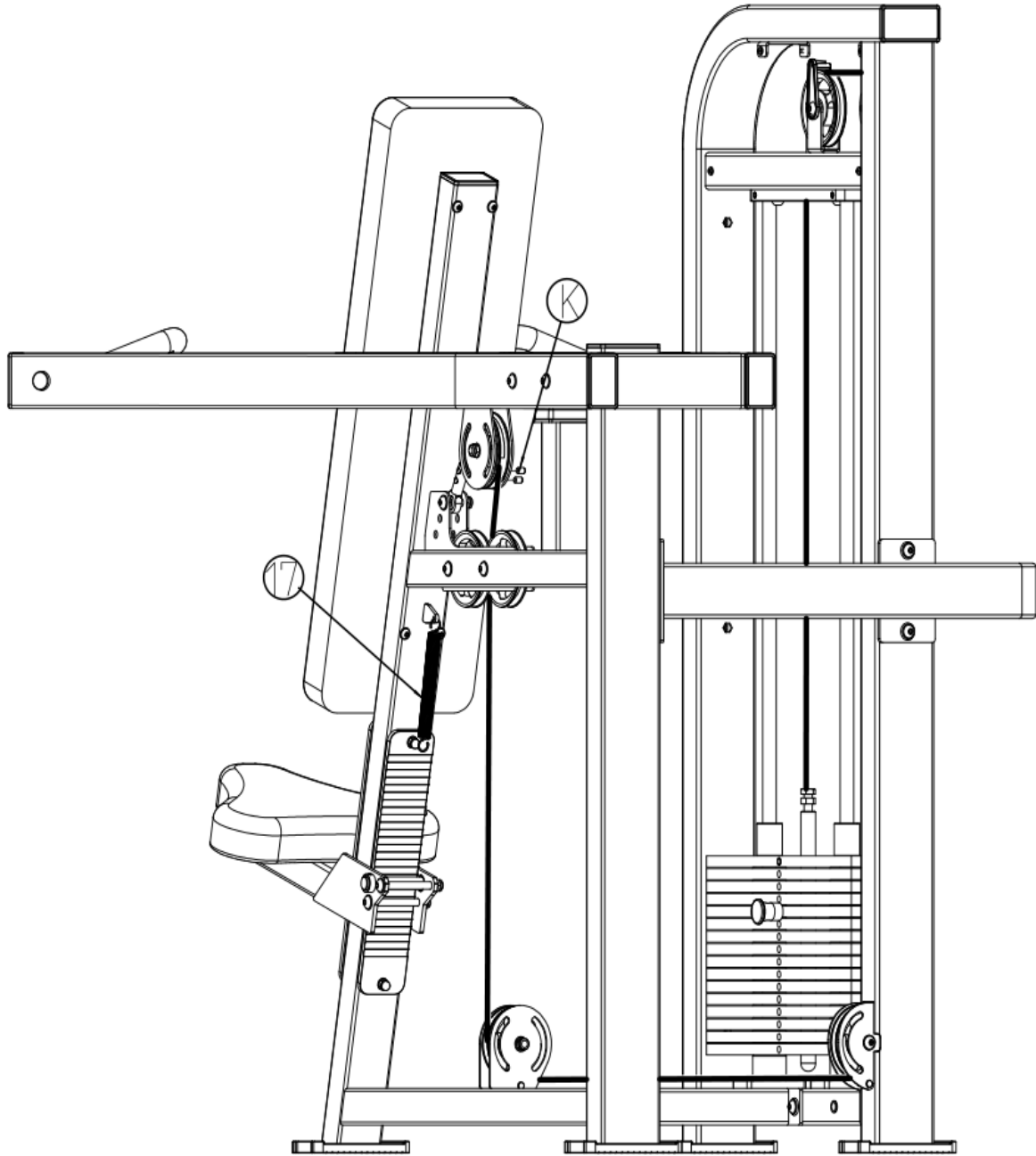
Assembly steps

Step	No.	Name	QTY	No.	Name	QTY
4	No.9	large backrest	1	No.23	M10*70 cotter pin	1
	No.16	Optical axis fixing plate	1	No.24	Counterweight assembly	1
	No.19	guide rod	2	No.25	Weight stack	15
	No.20	rubber column	2	G	M8*70 Round Head Screws	6
	No.21	15 hole center pole	1	J	M8*12top wire	2
	No.22	Counterweight latch	1	E	M10*30 Round Head Screws	2
	M	Ø8Gasket	6	No.7	Triangle seat cushion	1



Assembly steps

Step	No.	Name	QTY	No.	Name	QTY
5	K	M6*5 top wire	2			
	No.17	Extension spring	1			



Schematic diagram of wire rope routing

Assembly steps

Step	No.	Name	QTY	No.	Name	QTY
6	No.1	label board	2	I	M5*8 Phillips pan head screw	12
	No.12	Cover	1	V	Ø5Gasket	12
	No.15	small mount	4	H	M8*20 Round Head Screws	4

