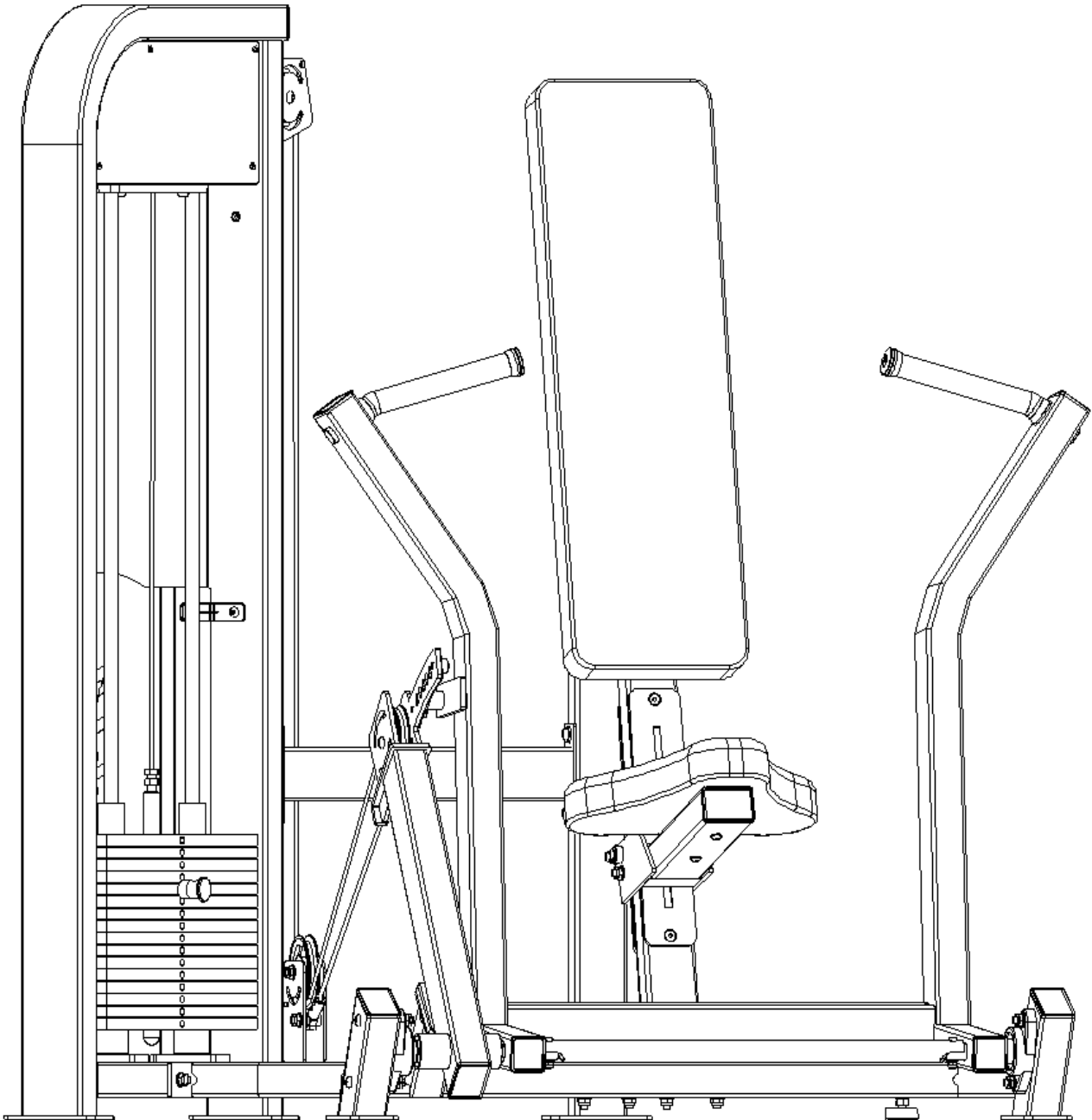




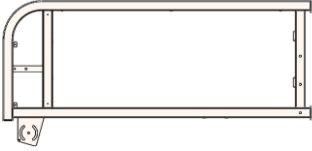
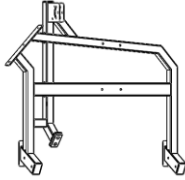
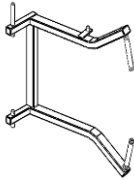

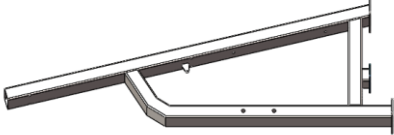
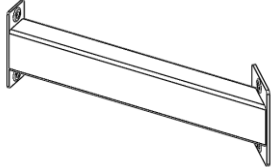
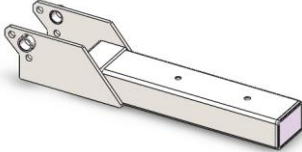
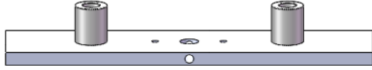
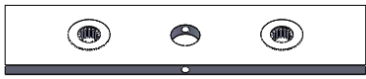
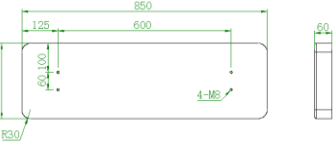

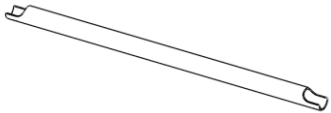
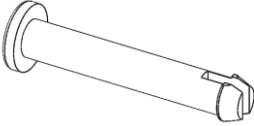

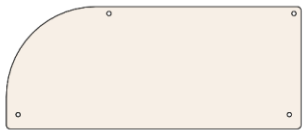
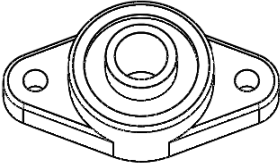
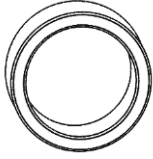
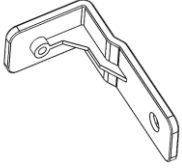
EXCEL SEATED CHEST PRESS (S-EX-CP)

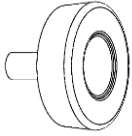
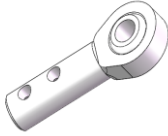
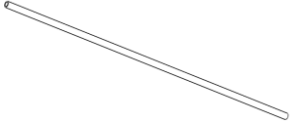



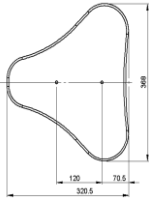


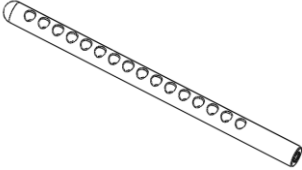
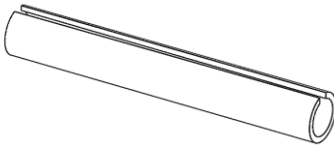


INSTALLATION MANUAL

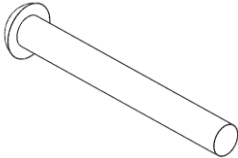
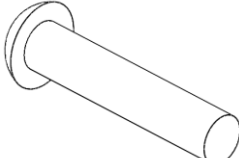
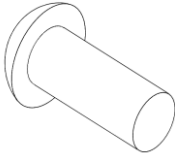
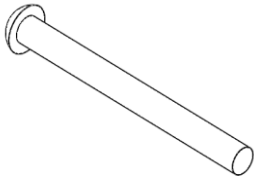
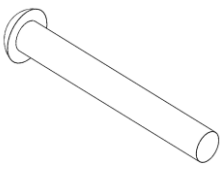
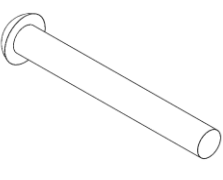
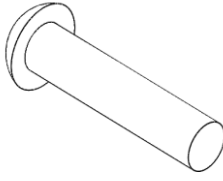
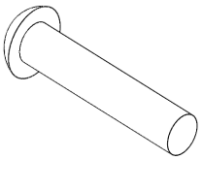
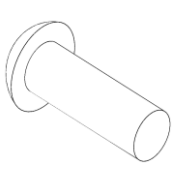
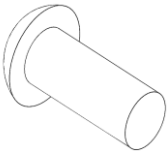
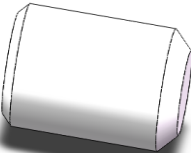
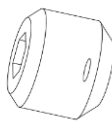
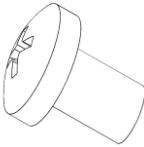

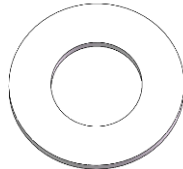

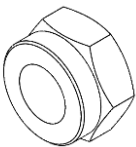
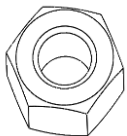
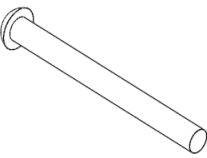
WWW.MUSCLEDFIT.COM

Parts list-1 (individual packaging)

					
No.1	small door assembly*1pc	No.2	base assembly*1pc	No.3	Moving arm*1pc
					
No.4	Adjustable arm assembly*1pc	No.5	backrest assembly*1pc	No.6	upper connection components*1pc
					
No.7	Seat assembly*1pc	No.8	Counterweight assembly*1pc	No.9	Weight stack*15pcs
					
No.10	large backrest*1pc	No.11	Pulley No. 105 *2pcs	No.12	Connecting pipe*1pc
					
No.13	Card rope pin*3pcs	No.14	small door guard *1pc	No.15	label board *2pcs
					
No.16	bearing seat *2pcs	No.17	Powder metallurgy sets *2pcs	No.18	small mount *4pcs

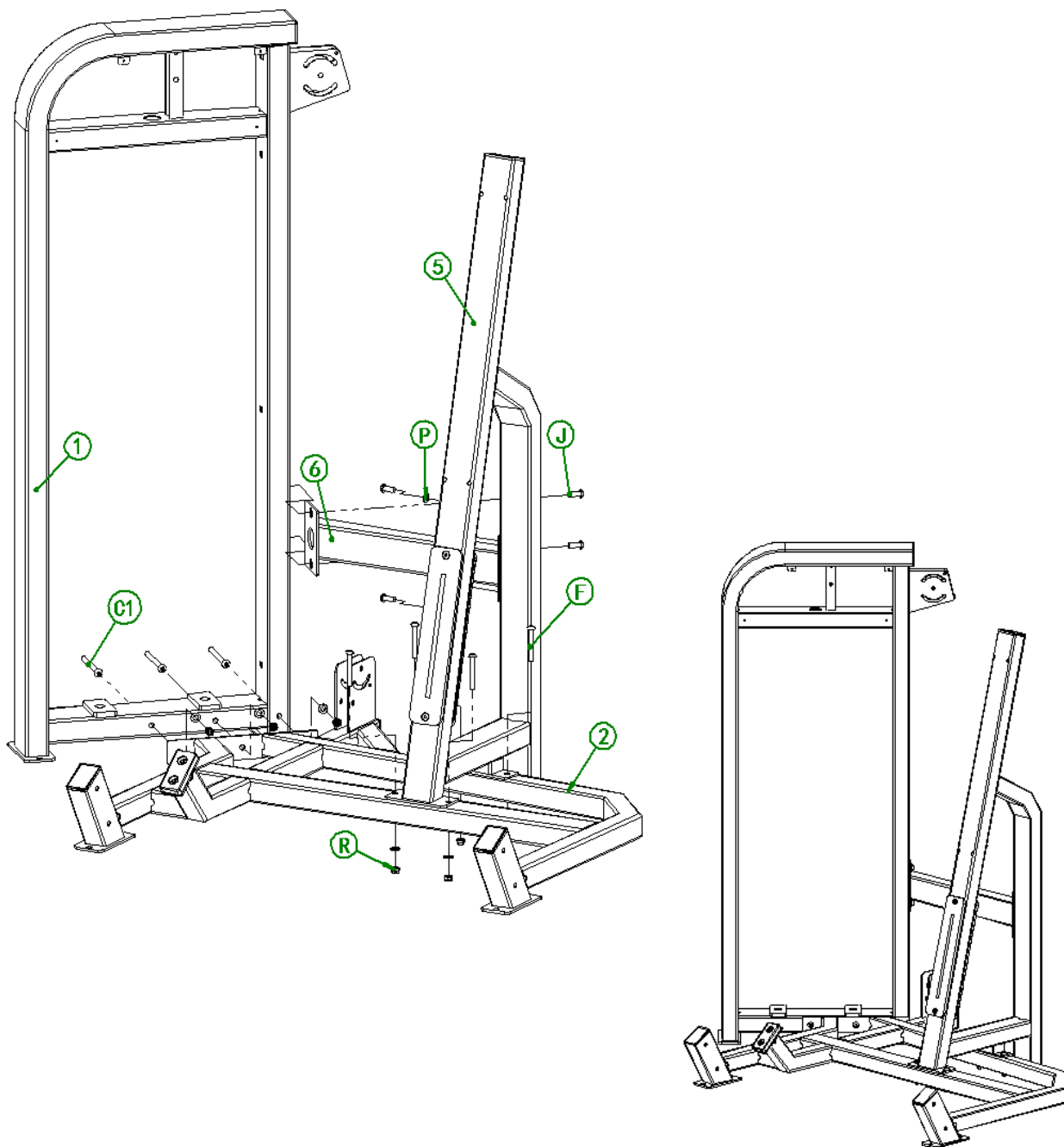
					
No.19	Cushion *1pc	No.20	Joint bearing *1pc	No.21	guide rod *2pcs
					
No.22	Optical axis fixing plate *1pc	No.23	spring*1pc	No.24	Card shaft *1pc
					
No.25	Triangular cushion *1pc	No.26	rubber column *2pcs	No.27	Counterweight latch *1pc
					
No.28	15 hole center pole *1pc	No.29	cotter pin *1pc	No.30	Cable *1pc

Blister Pack Screws List

					
A	M8*70 Round Head Screws *6pcs	B	M8*40 Round Head Screws *2pcs	C	M8*20 Round Head Screws *4pcs
					
D	M10*105 Round Head Screws *2pcs	E	M10*80 Round Head Screws *4pcs	F	M10*70 Round Head Screws *4pcs
					
G	M10*50 Round Head Screws *1pc	H	M10*45 Round Head Screws *4pcs	I	M10*30 Round Head Screws *2pcs
					
J	M10*25 Round Head Screws *4pcs	L	8*12 top wire *2pcs	M	6*5 top wire *2pcs
					
N	M5*8 Phillips round head screw *12pcs	O	Φ8 Gasket *4pcs	P	Φ10 Gasket *25pcs
					
Q	M8 Locknut *2pcs	R	M10 Locknut *18pcs	B1	M10 Hex nuts *1pc
					
C1	M10*120 Round Head Screws *3pcs				

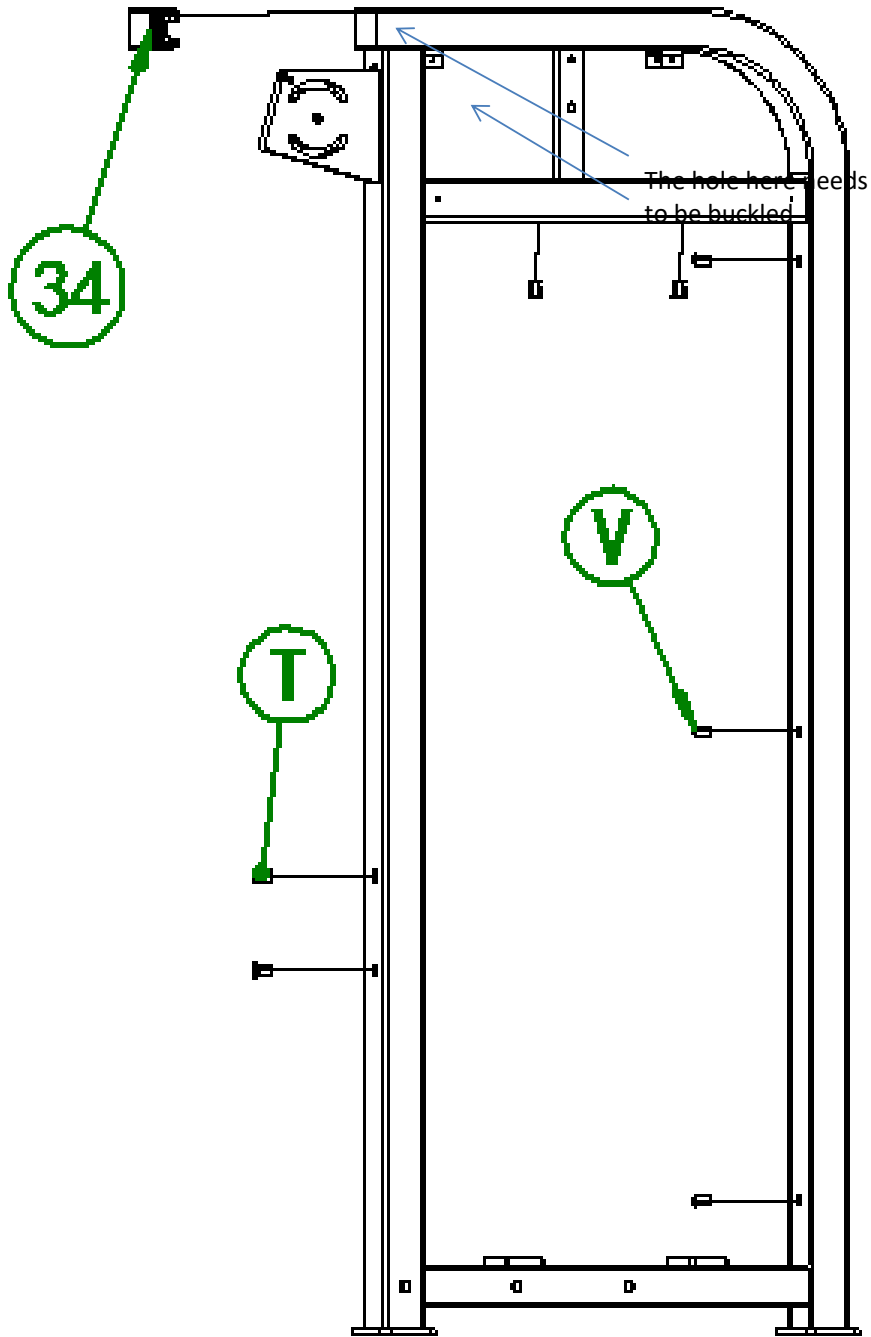
Assembly steps

Step	Item No.	Name	Qty	Item No.	Name	Qty
1	No.5	backrest assembly	1	P	Ø10 Cushion	11
	No.6	upper connection components	1	F	M10*70 Round Head Screws	4
	No.1	Small door assembly	1	J	M10*25 Round Head Screws	4
	No.2	base assembly	1	R	M10 Locknut	7
	B1	M10 Hex nuts	1	C1	M10*120 Round Head Screws	3
	No.19	Cushion	1			



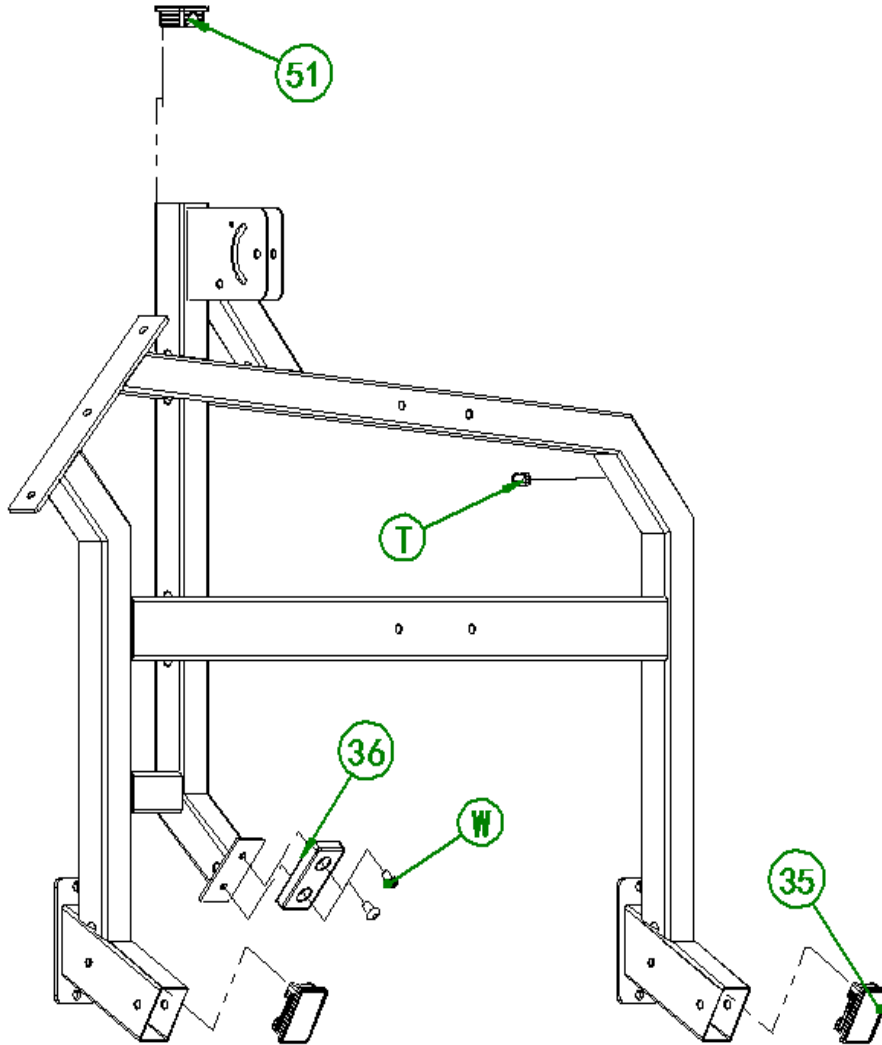
No.1 Small door assembly *1pc

Step	Item No.	Name	Qty	Item No.	Name	Qty
	No.34	50*100 Silencer	1			
	T	M10 Rivet	4			
	V	M8 Rivet	6			



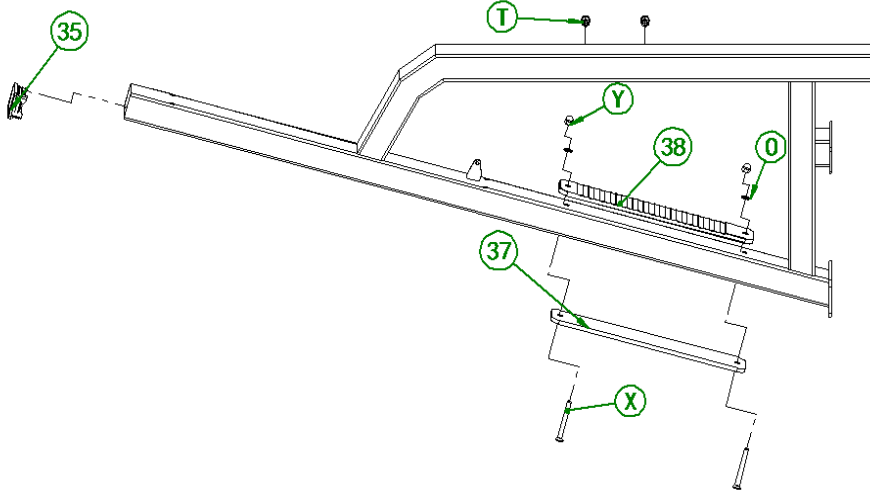
No.2 base assembly *1pc

Step	Item No.	Name	Qty	Item No.	Name	Qty
	No.36	Thin Shock Pads	1	W	M10 Round Head Screws	2
	No.35	50*75 Silencer	2	T	M10 Rivet	1
				No.51	50*50 square pipe plug	1



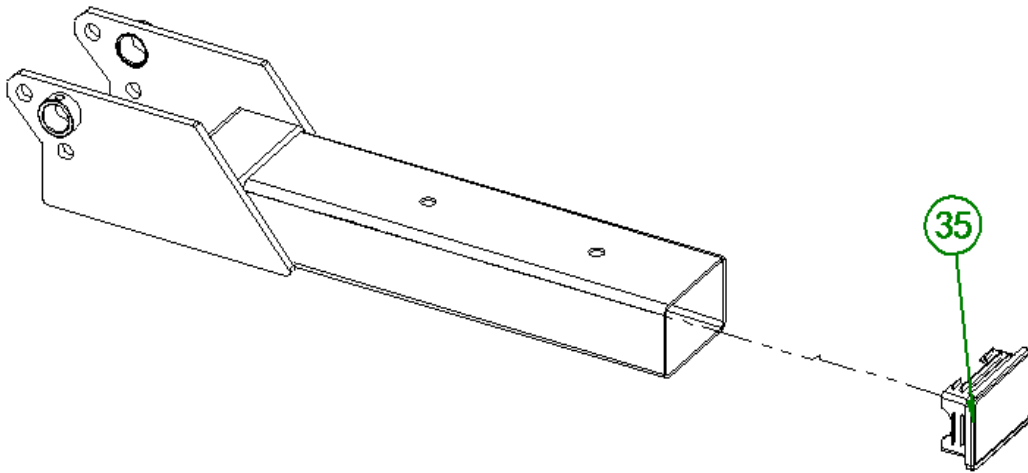
NO.5 backrest assembly *1pc

Step	Item No.	Name	Qty	Item No.	Name	Qty
	No.35	50*75 Silencer	1	No.38	seat card plate	1
	No.37	Seat gear plate	1	X	M8*75 flat head screw	2
	O	Φ8 Gasket	2	Y	M8 nut	2
	T	M10 Rivet	2			



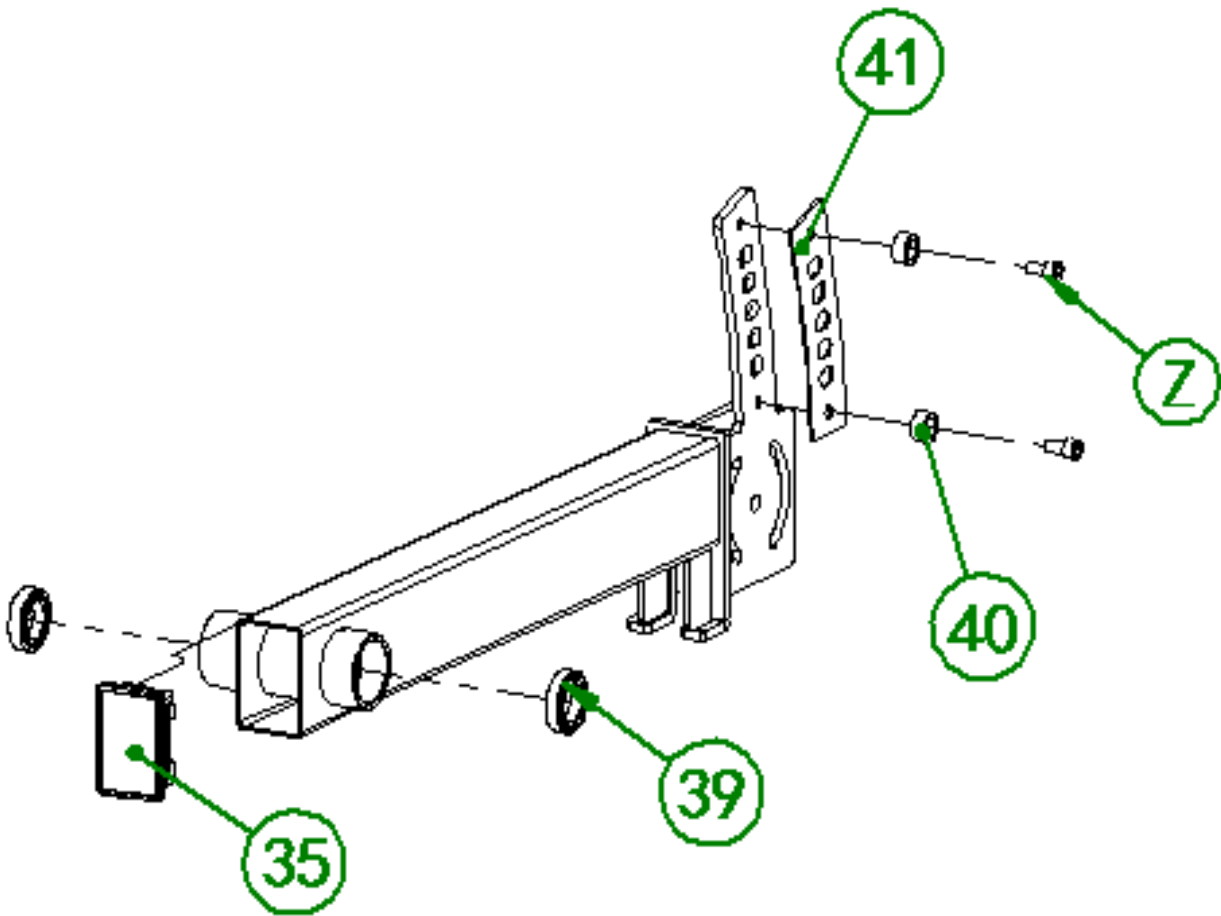
No.7 Seat assembly *1pc

Step	Item No.	Name	Qty	Item No.	Name	Qty
	No.35	50*75 Silencer	1			



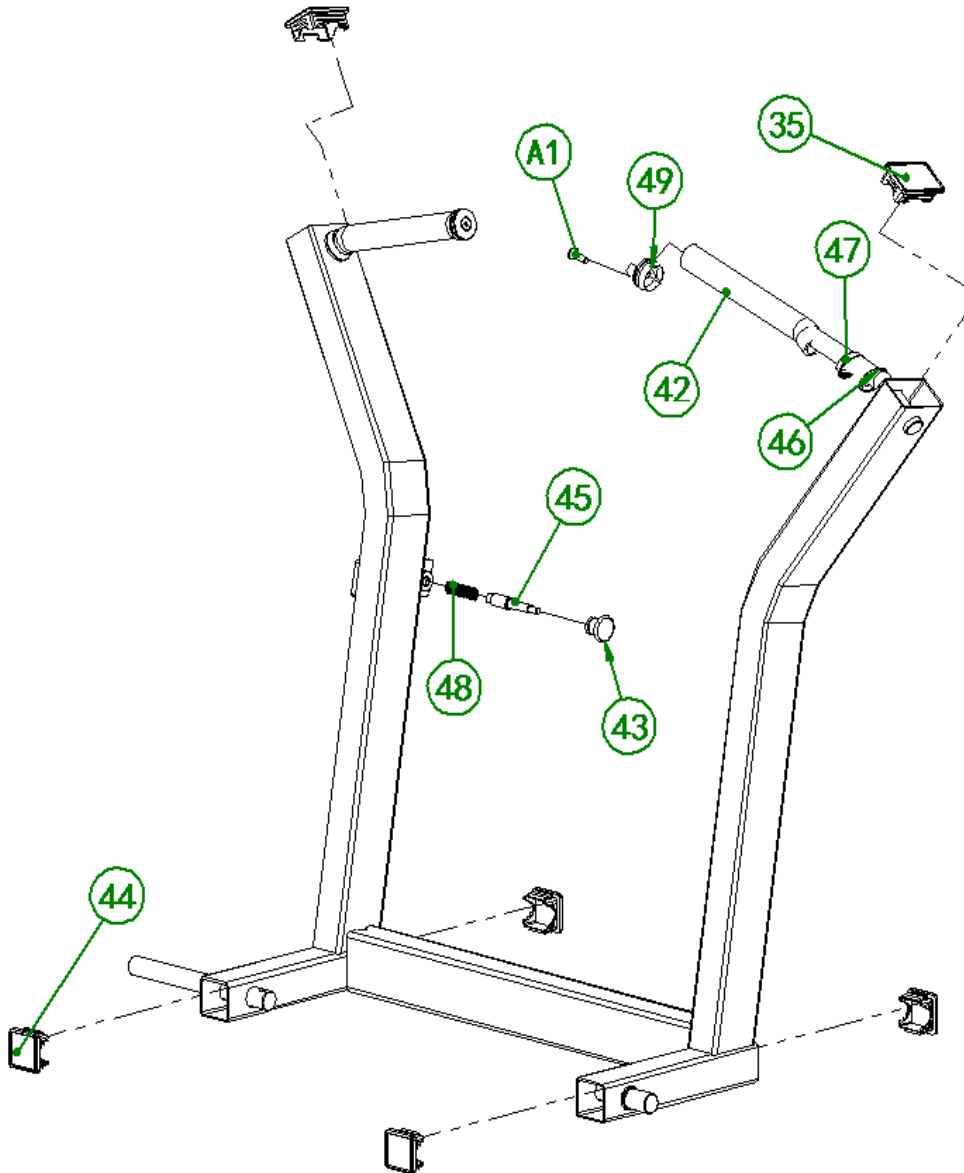
No.4 Adjustable arm assembly *1pc

Step	Item No.	Name	Qty	Item No.	Name	Qty
	No.40	limit post	2	No.39	bearing	2
	No.41	stainless steel plate	1	No.35	50*75 Silencer	1
	Z	M8*15 cylinder head screw	2			



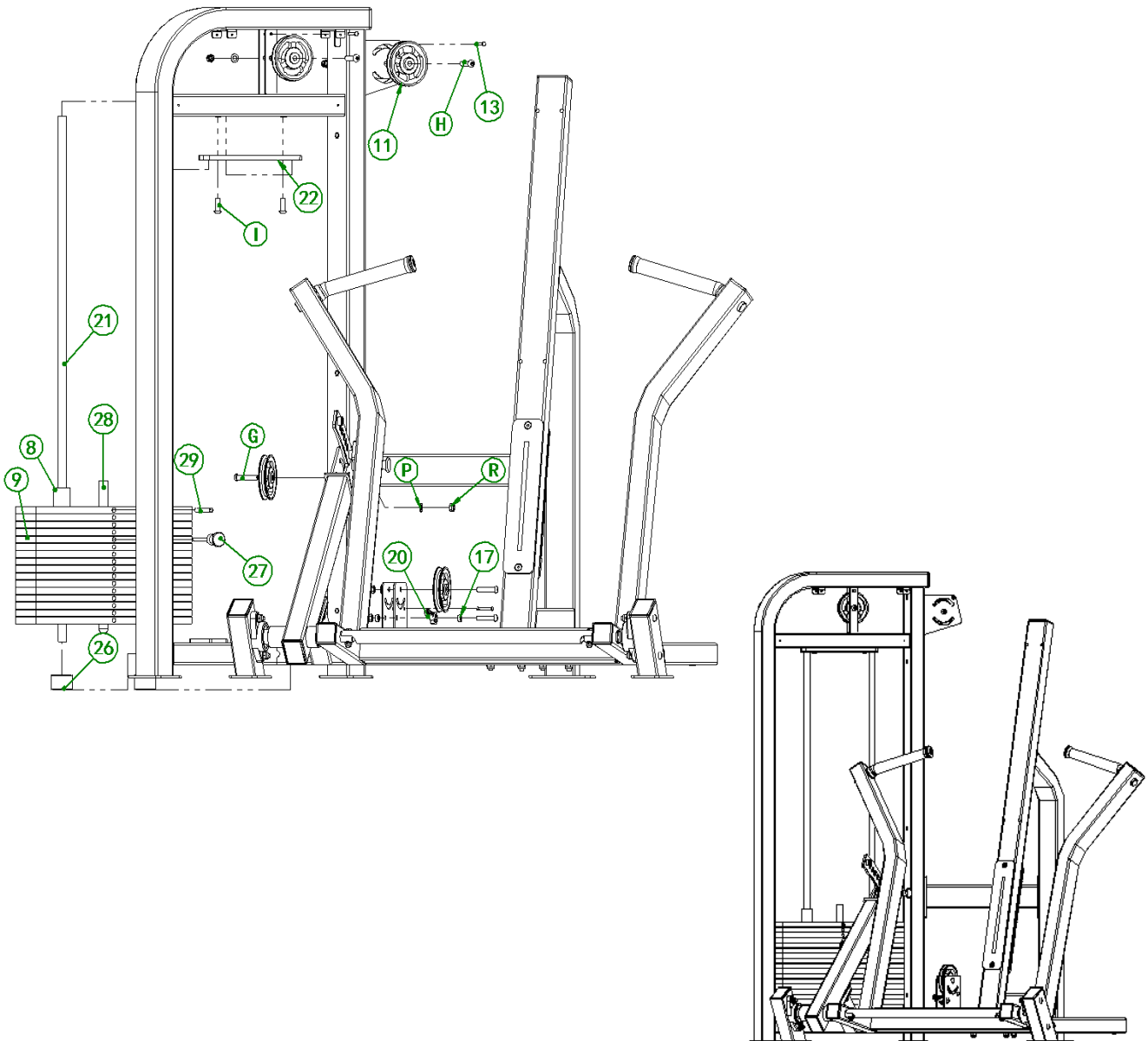
No.3 boom assembly *1pc

Step	Item No.	Name	Qty	Item No.	Name	Qty
	No.42	Not torn $\Phi 25 \times 240$ mm	2	No.45	plug	1
	No.43	Aluminum alloy pin	1	No.46	big yellow circle	2
	No.35	50*75 square pipe plug	2	No.47	aluminum ring	2
	No.48	Spring	1	A1	M8*25 flat head screw	2
	No.49	Aluminum end cap	2	No.44	50*50 square pipe plug	4



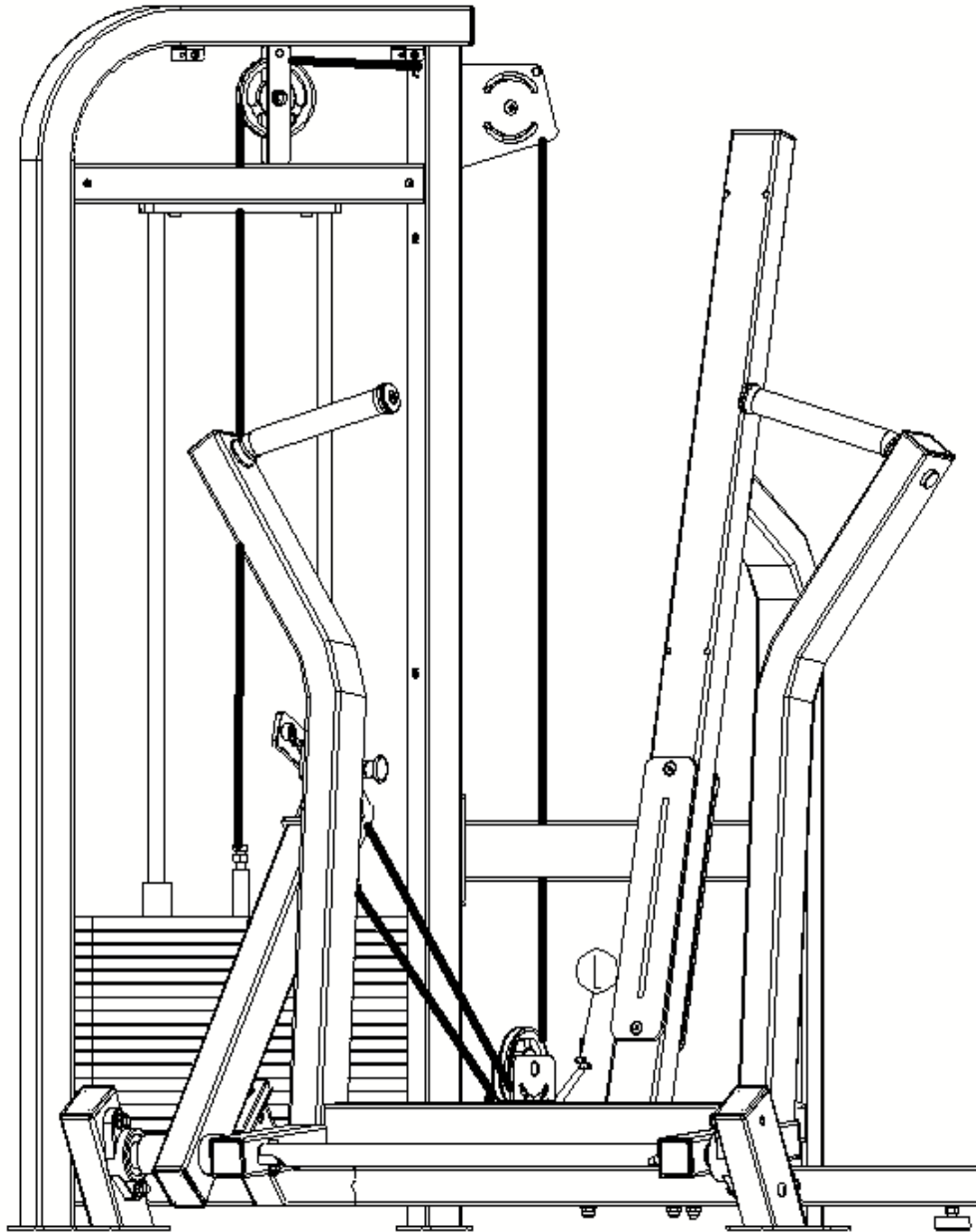
Assembly steps

Step	Item No.	Name	Qty	Item No.	Name	Qty
3	No.21	guide rod	2	No.28	center pole	1
	No.22	Optical axis fixing plate	1	No.29	M10*70 cotter pin	1
	No.27	Counterweight latch	1	No.8	Counterweight assembly	1
	I	M10*30 Round Head Screws	2	No.9	Counterweight lower piece	15
	No.26	rubber column	2	No.11	Pulley	4
	No.17	GT003 Spacer	2	No.13	Card rope pin	3
	G	M10*50 Round Head Screws	1	R	M10 Locknut	5
	No.20	Joint bearing	1	P	Φ10 Gasket	5
				H	M10*45 Round Head Screws	4



Assembly steps

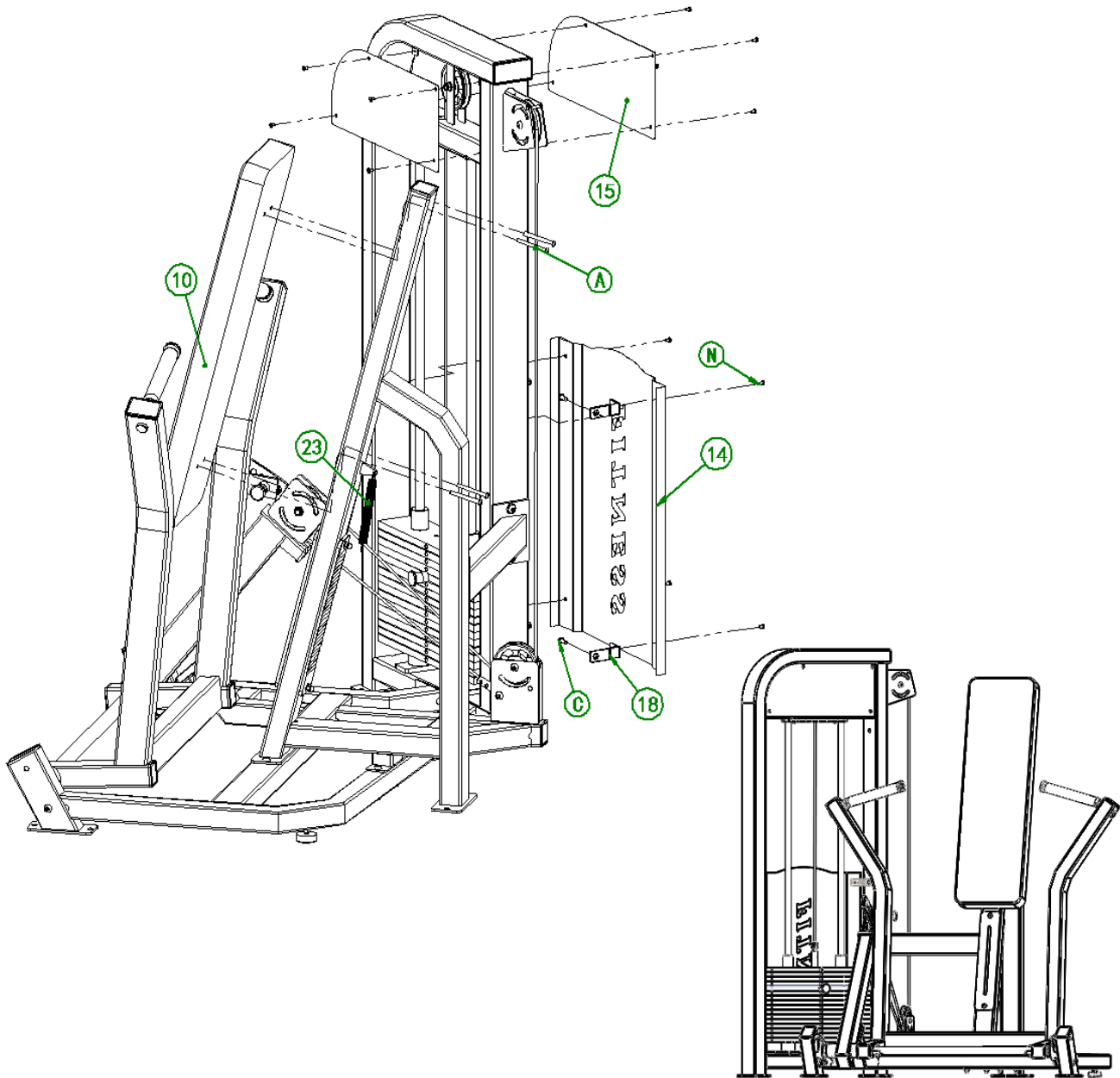
Step	Item No.	Name	Qty	Item No.	Name	Qty
4	No.30	Cable	1			
	L	8*12 top wire	2			



Wire rope routing diagram

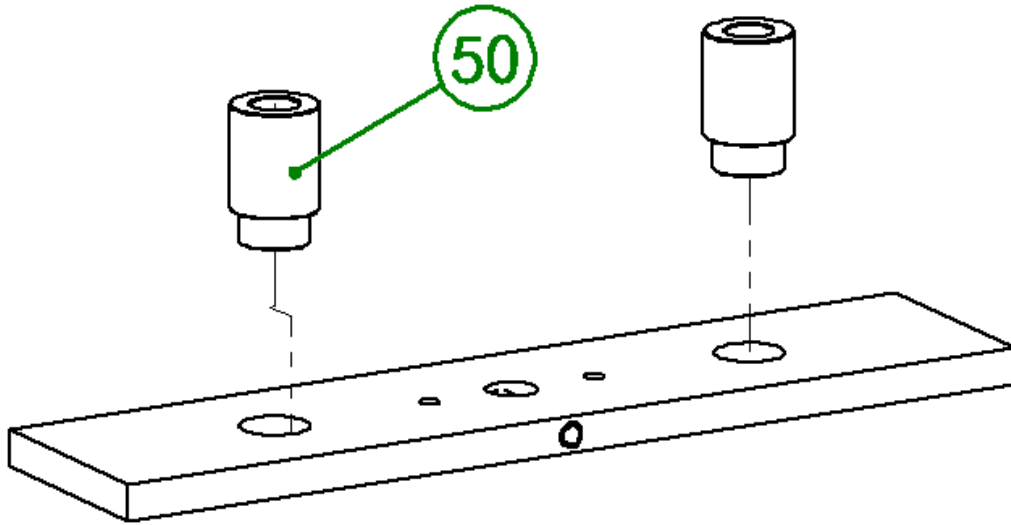
Assembly steps

Step	Item No.	Name	Qty	Item No.	Name	Qty
5	No.10	backrest assembly	1	No.14	guard plate	1
	No.23	Extension spring	1	No.18	small mounting plate	4
	C	M8*20 Round Head Screws	4	No.15	label board	2
	A	M8*70 Round Head Screws	4	N	M5*8 Phillips round head screw	12



No.8 Counterweight assembly *1pc

Step	Item No.	Name	Qty	Item No.	Name	Qty
	No.50	Bushing	2			



Assembly steps

Step	Item No.	Name	Qty	Item No.	Name	Qty
6	No.25	cushion	1	A	M8*70 Round Head Screws	2
	No.24	Card shaft	1	P	Φ10 Gasket	2
	No.7	Cushion components	1	R	M10 Locknut	2
	M	6*5 top wire	2	O	Φ8 Gasket	2
	D	M10*105 Round Head Screws	2			

