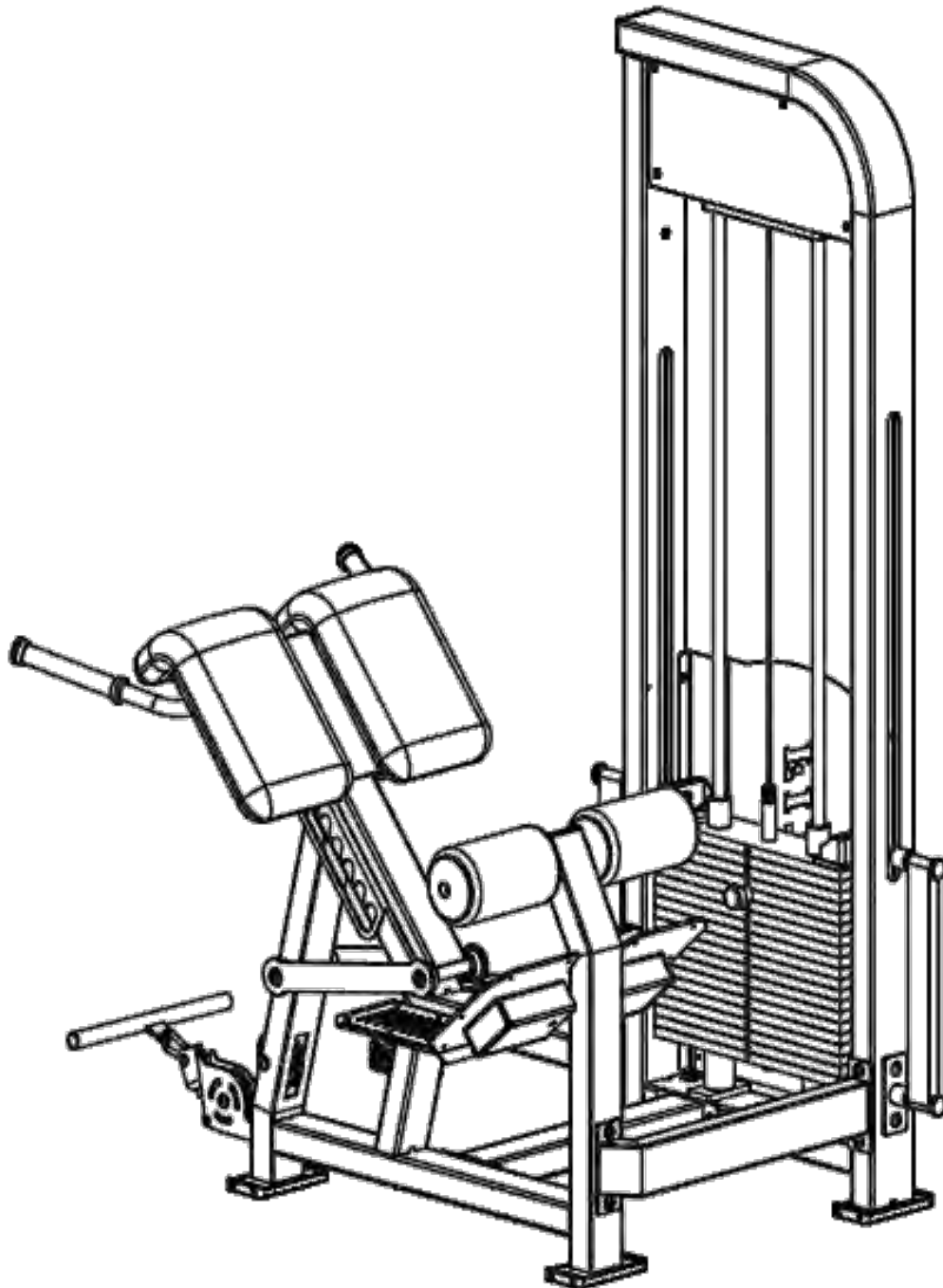




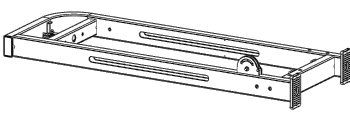

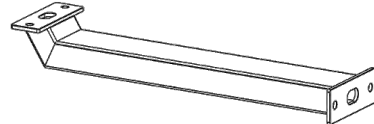



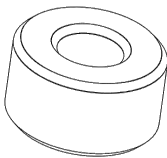

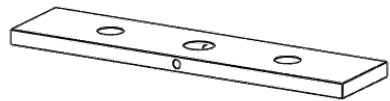
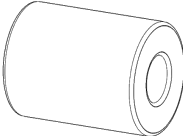
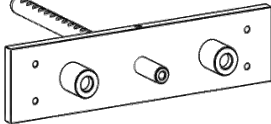

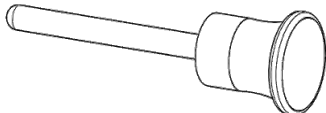
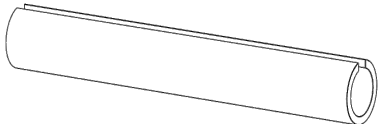


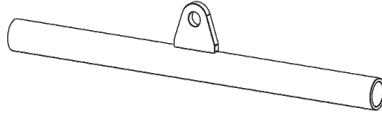
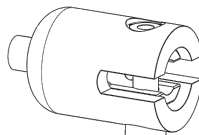
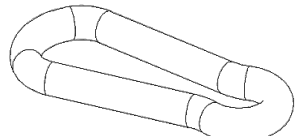
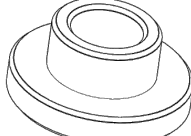
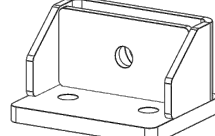
Excel Loaded Back Extension (S-G-LBE)

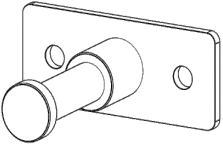
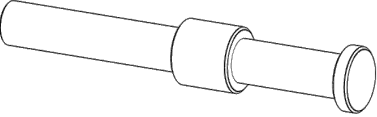
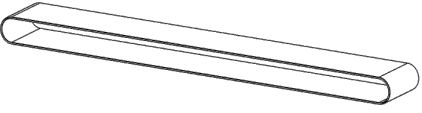


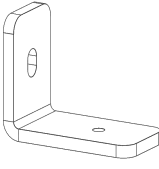
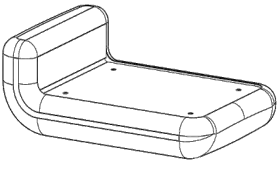
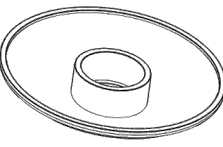
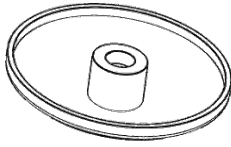
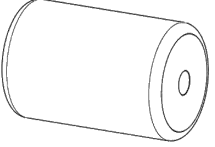


INSTRUCTION MANUAL

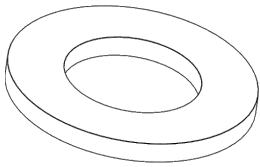
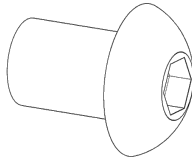
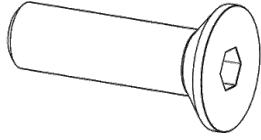
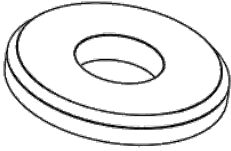
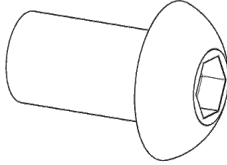
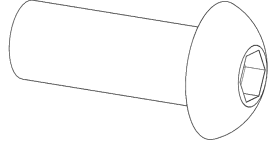
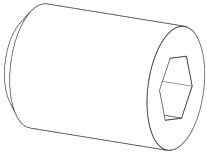
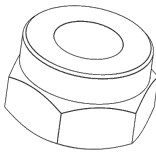
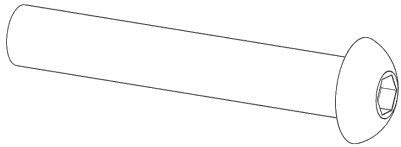
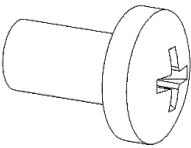
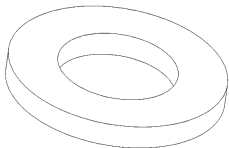
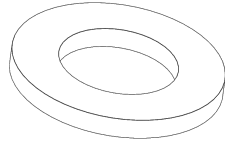




www.muscledfit.com

Accessories list (separate packaging)

					
No.1	5068-0100 Small door assembly*1pc	No.2	5068-0300 Main frame welding set*1pc	No.3	5068-0200 Connecting support welding set*1pc
					
No.4	5068-0700 Connecting support welding set*1pc	No.5	5068-0500 Cushion adjustment welding set*1pc	No.6	5056-2004 Aluminum alloy flat end cap*2pcs
					
No.7	5026-2007 Nylon column*2pcs	No.8	5068-0600 Linkage welding set*2pcs	No.9	Weight stack*19pcs
					
No.10	556 weighted rubber column*2pcs	No.11	Long counterweight head*1pc	No.12	5067-1-1300 Guide rod*2pcs
					
No.13	#41 new pull pin*1pc	No.14	10X70 C-type split pin*1pc	No.15	5000-6011 Optical axis fixing plate New*1pc
					
No.16	5068-0800 Pulley rotation set*1pc	No.17	Q1001-21 low pull welding set*1pc	No.18	A-31 Steel Lock Set*1pc
					
No.19	Safety hook*1pc	No.20	Q1001-5004 Flying Bird Nylon Cover*2pcs	No.21	5067-11 Hook fixing assembly*2pcs

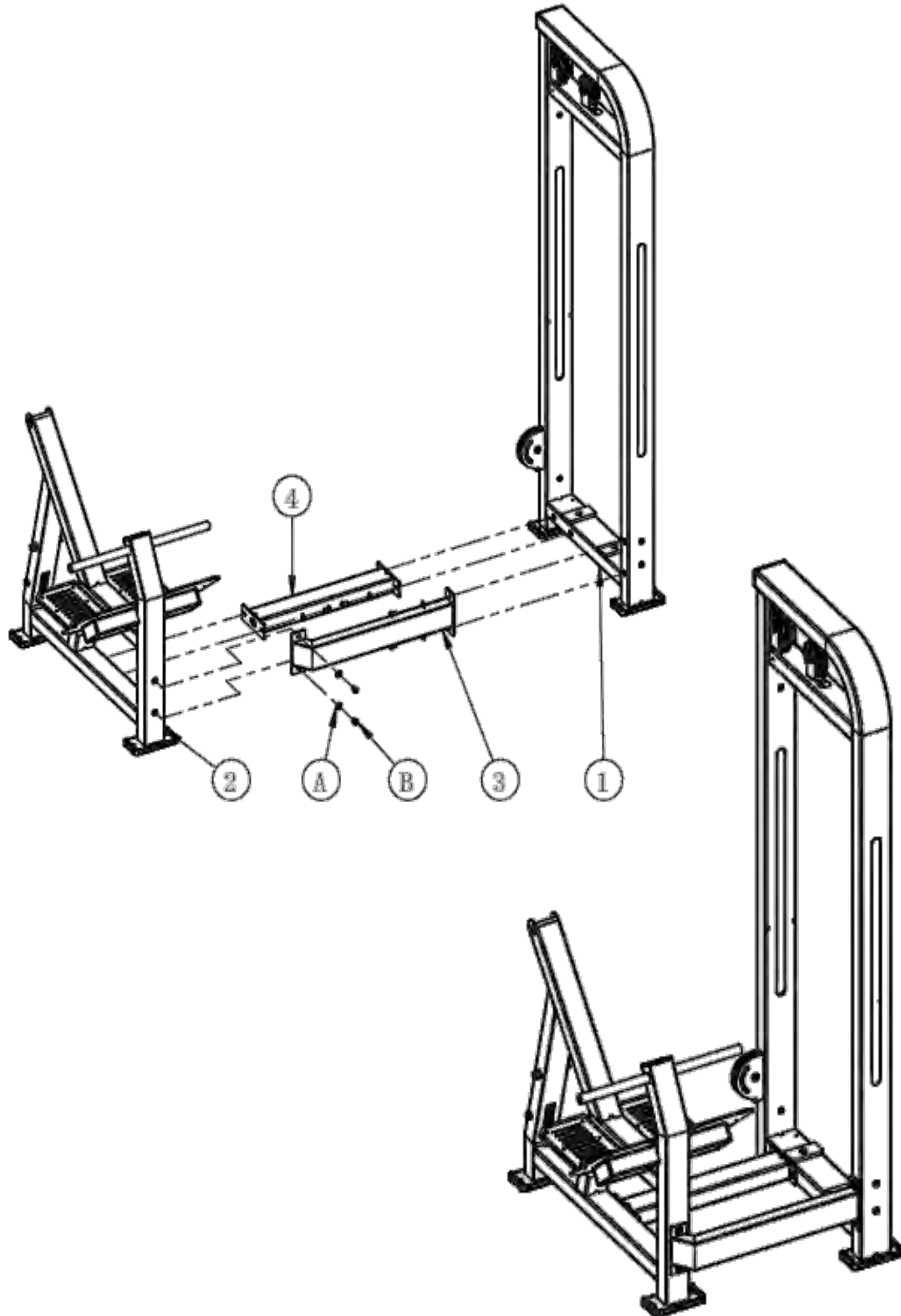
					
No.22	5067-1-1100 hook set*2pcs	No.23	5067-0008 Hook column*2pcs	No.24	5067-0013 Elastic band*2pcs
					
No.25	5020-2003 Label plate*2pcs	No.26	5067-1-1000 Small door guard plate*1pc	No.27	5067-1-1400 guard plate fixing plate*2pcs
					
No.28	5 series cushion #24 *2pcs	No.29	07-6059-0003 Foam barrel cover*2pcs	No.30	07-6059-0004 Foam cover*2pcs
					
No.31	07-6059-0005 Foam roller F4*2pcs	No.32		No.33	

Blister Pack Screw List

					
A	Flat washer (galvanized) Φ 10*20pcs	B	Hexagon socket head screws (galvanized) M10X16*18pcs	C	M10X40 hexagon socket countersunk screw*2pcs
					
D	8047-000 Gasket*4pcs	E	Round head screw M8X16*14pcs	F	Flat head screw M10X30*2pcs
					
G	M8X12 top screw*2pcs	H	Lock nut (galvanized) M10*1pc	J	Hexagon socket head screw (half-thread galvanized) M10X70*1pc
					
K	Cross recessed pan head screws M5X10*14pcs	L	Flat washer (galvanized) Φ 5*14pcs	M	Φ 8 flat washer*10pcs
					
N					
					

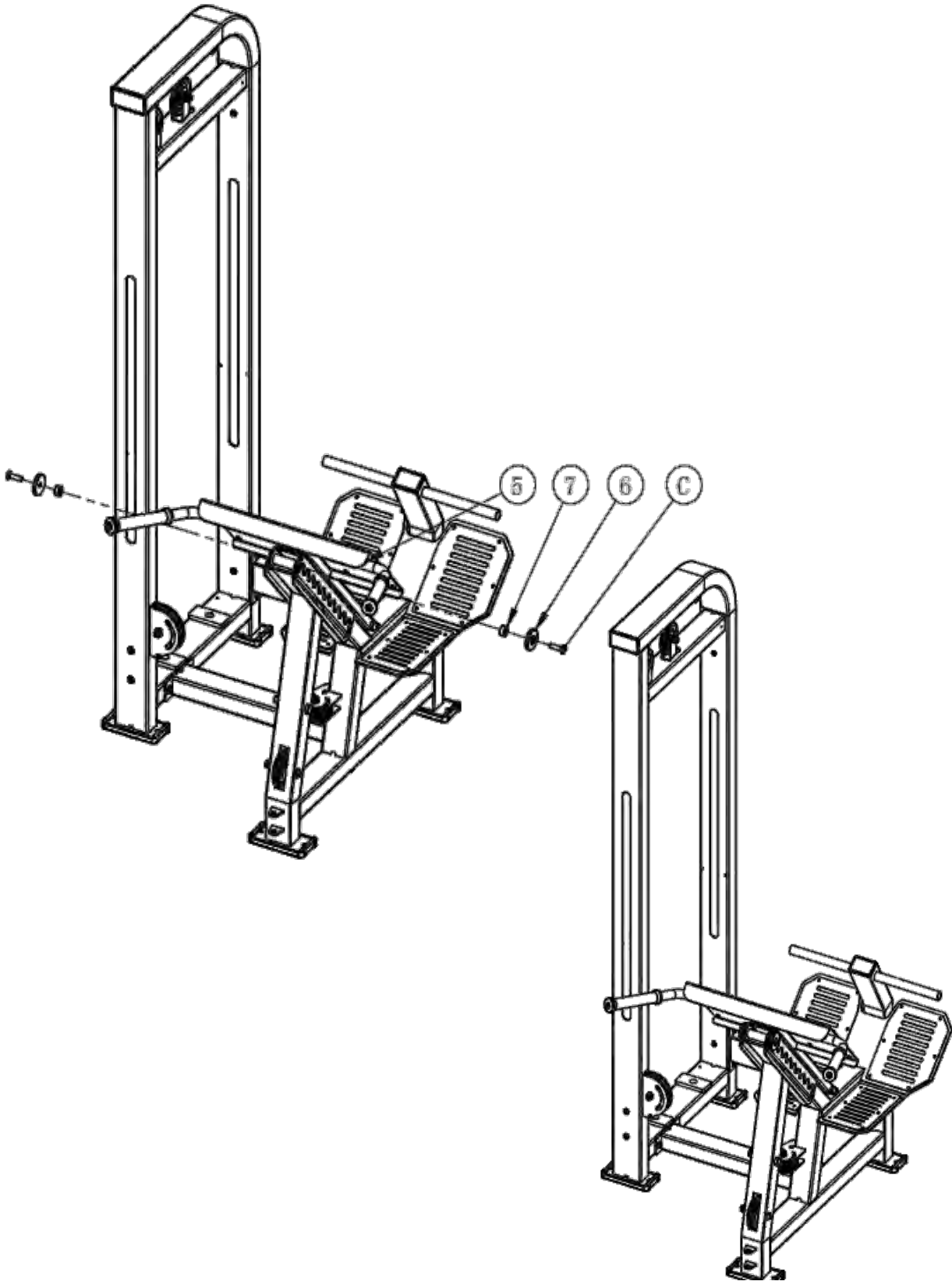
Assembly steps

Step	Item NO	Name	Qty
1	1	5068-0100 Small door assembly	1
	2	5068-0300 Main frame welding group	1
	3	5068-0200 Connection support welding set	1
	4	5068-0700 Connection support welding set	1
	A	Flat washer (galvanized) $\Phi 10$	8
	B	Hexagon socket head screw (galvanized) M10X16	8



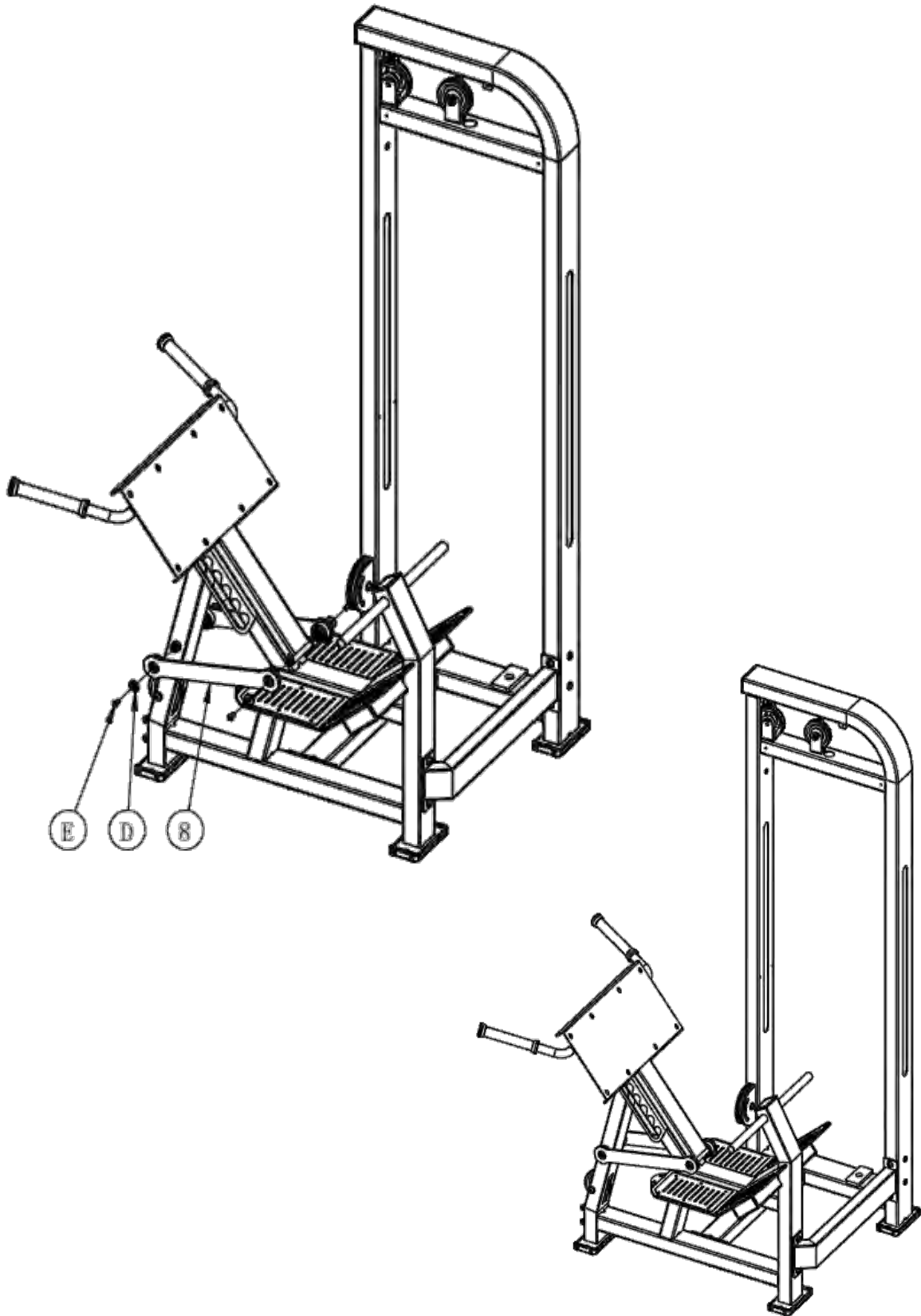
Assembly steps

Step	Item NO	Name	Qty
2	5	5068-0500 Cushion adjustment welding set	1
	6	5056-2004 Aluminum alloy flat end cap	2
	C	M10X40 hexagon socket countersunk screw	2
	7	5026-2007 Nylon column	2



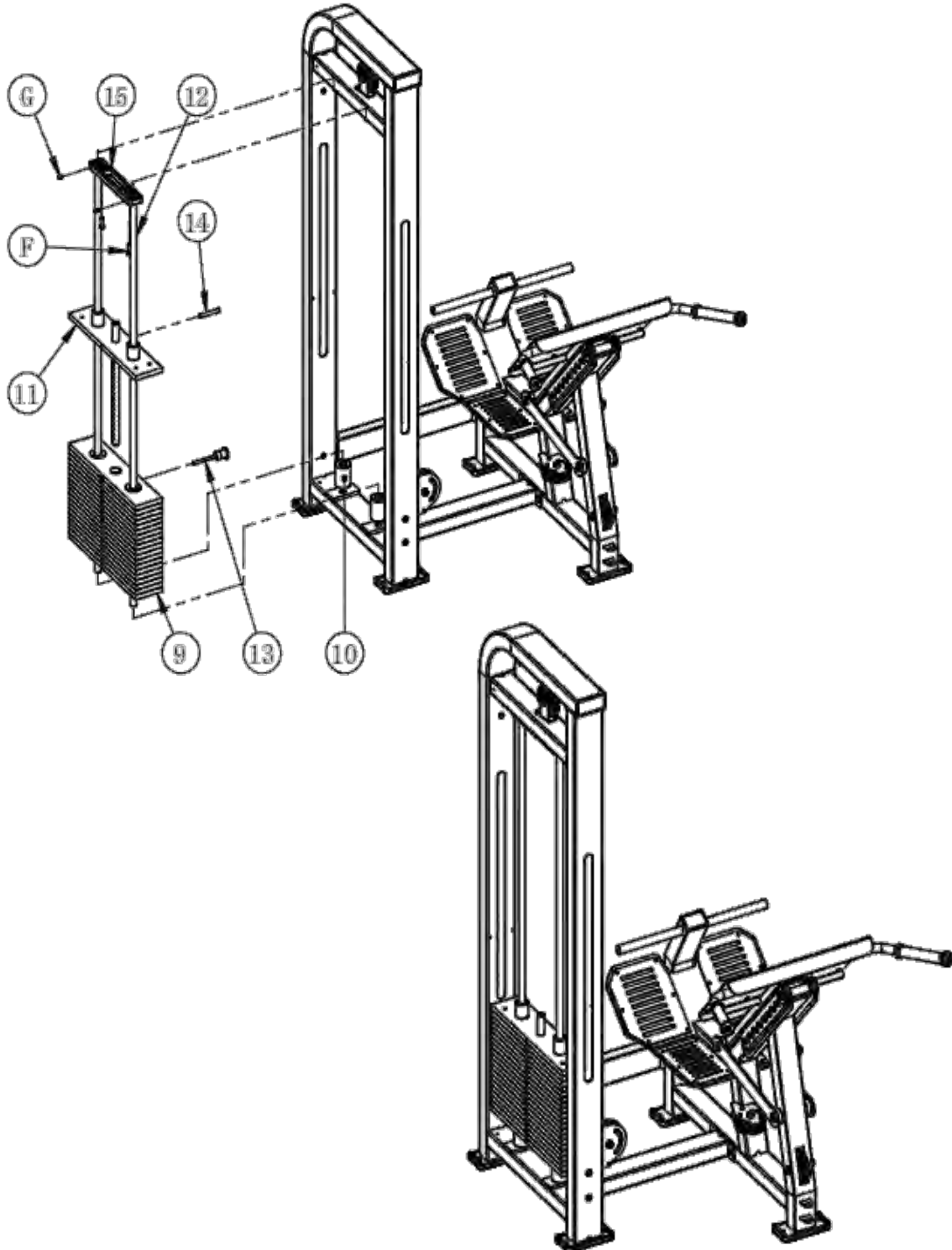
Assembly steps

Step	Item NO	Name	Qty
3	8	5068-0600 Linked welding group	2
	D	8047-000 Gasket	4
	E	Round head screw M8X16	4



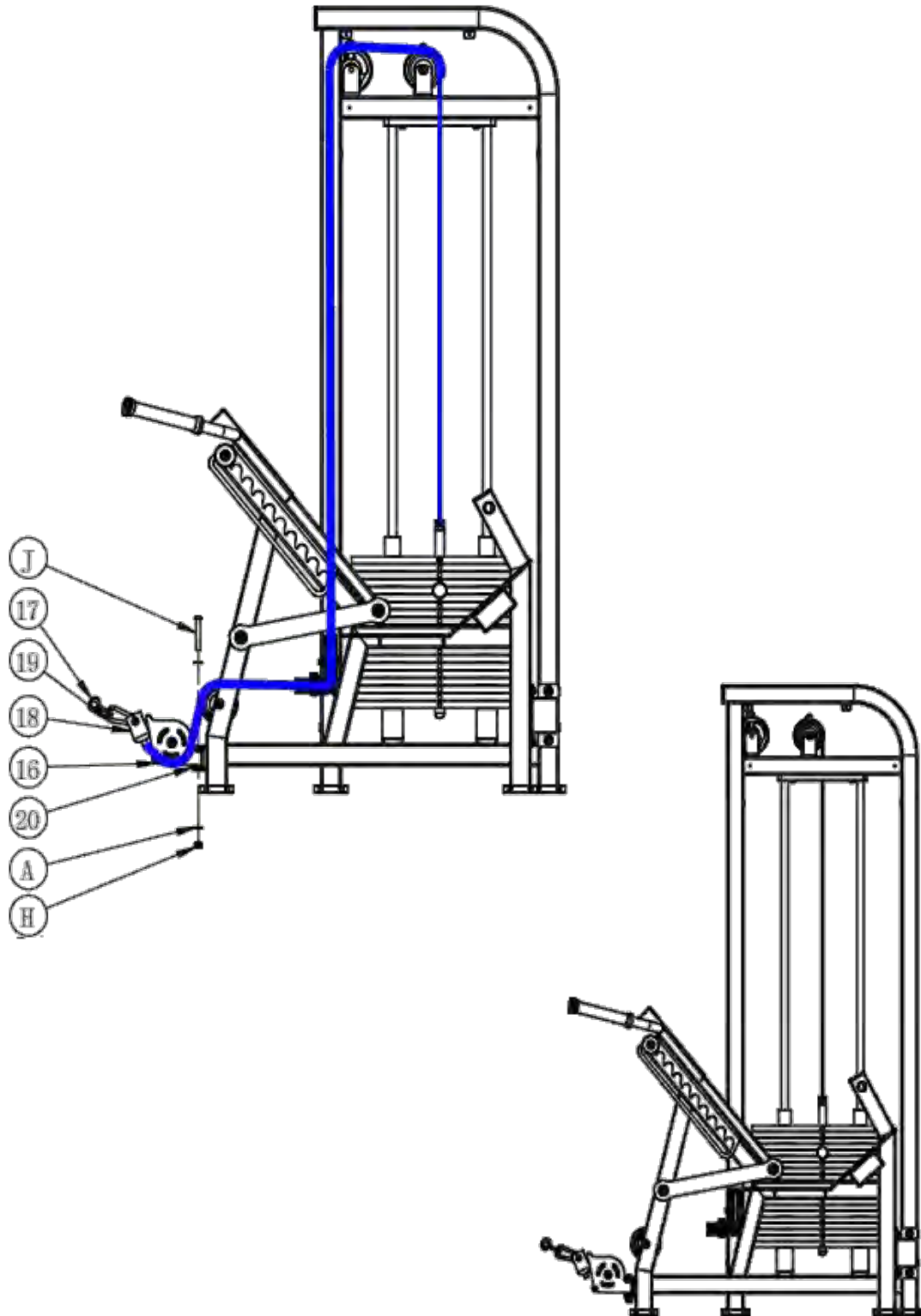
Assembly steps

Step	Item NO	Name	Qty
4	9	Weight Stack	19
	10	556 Weighted Rubber Column	2
	11	Long counterweight head piece	1
	12	5067-1-1300 guide rod	2
	13	#41 New Pull Pin	1
	14	10X70 C-type split pin	1
	15	5000-6011 Optical axis fixing plate New	1
	F	Flat head screw M10X30	2
	G	M8X12 top screw	2



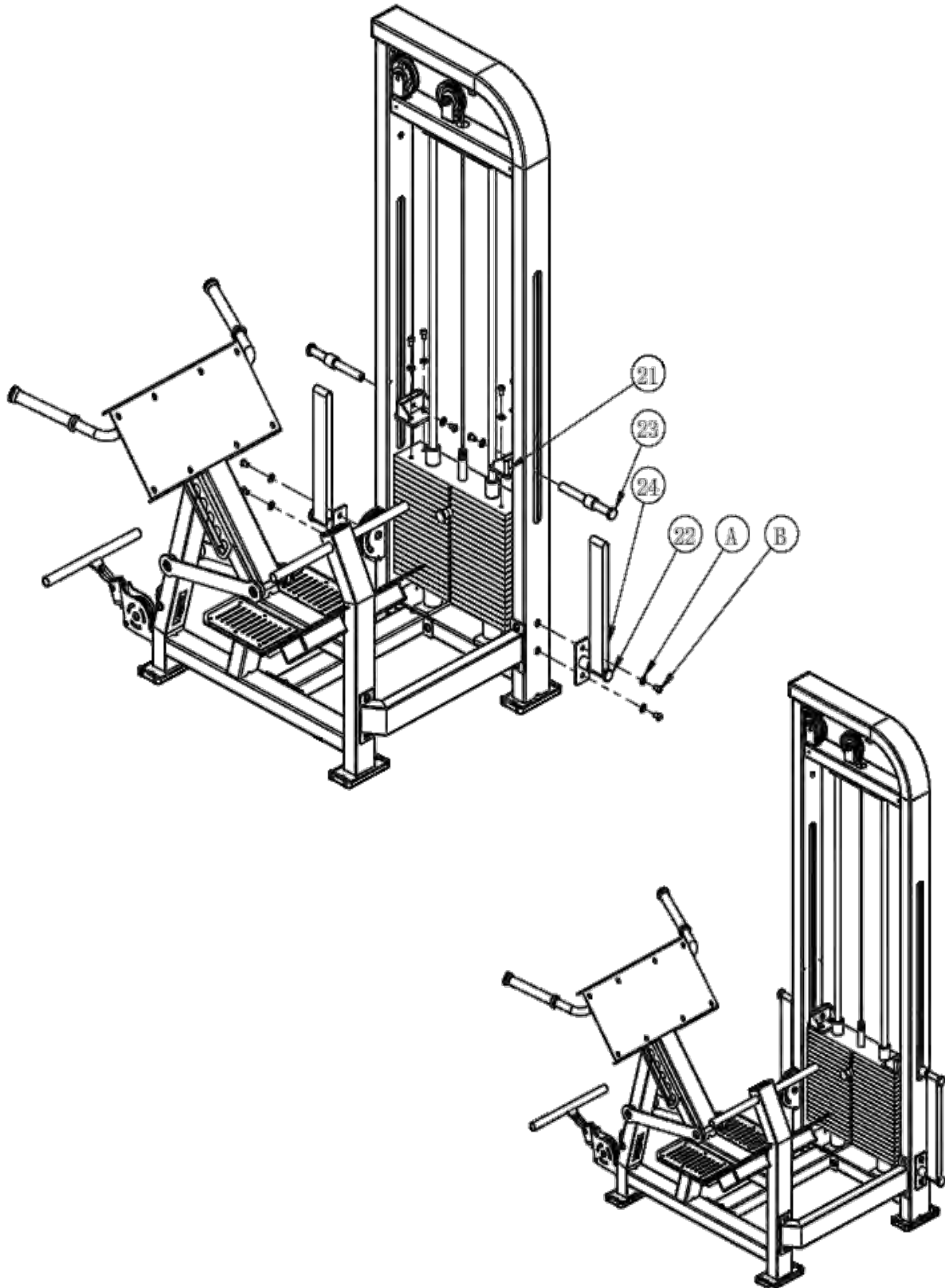
Assembly steps

Step	Item NO	Name	Qty
5	16	5068-0800 Pulley rotation group	1
	17	Q1001-21 Low pull welding group	1
	18	A-31 Steel Lock Set	1
	19	Safety hook	1
	20	Q1001-5004 Flying Bird Nylon Sleeve	2
	H	Lock nut (galvanized) M10	1
	A	Flat washer (galvanized) $\Phi 10$	2
	J	Hexagon socket head screw (half-thread galvanized) M10X70	1



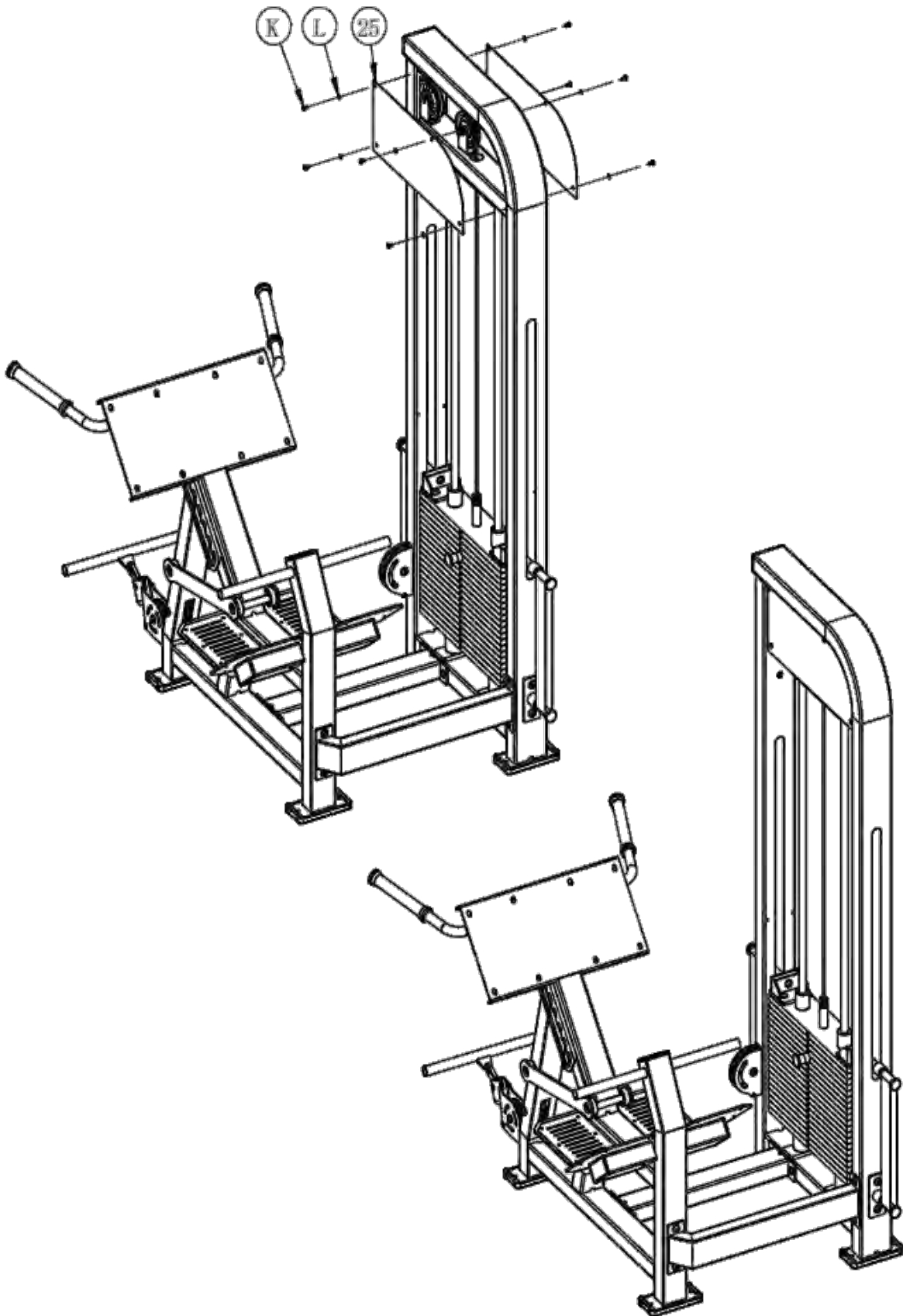
Assembly steps

Step	Item NO	Name	Qty
6	21	5067-11 Hook fixing assembly	2
	22	5067-1-1100 Hook set	2
	23	5067-0008 Hook column	2
	B	Hexagon socket head screw (galvanized) M10X16	10
	A	Flat washer (galvanized) Φ10	10
	24	5067-0013 Elastic band	2



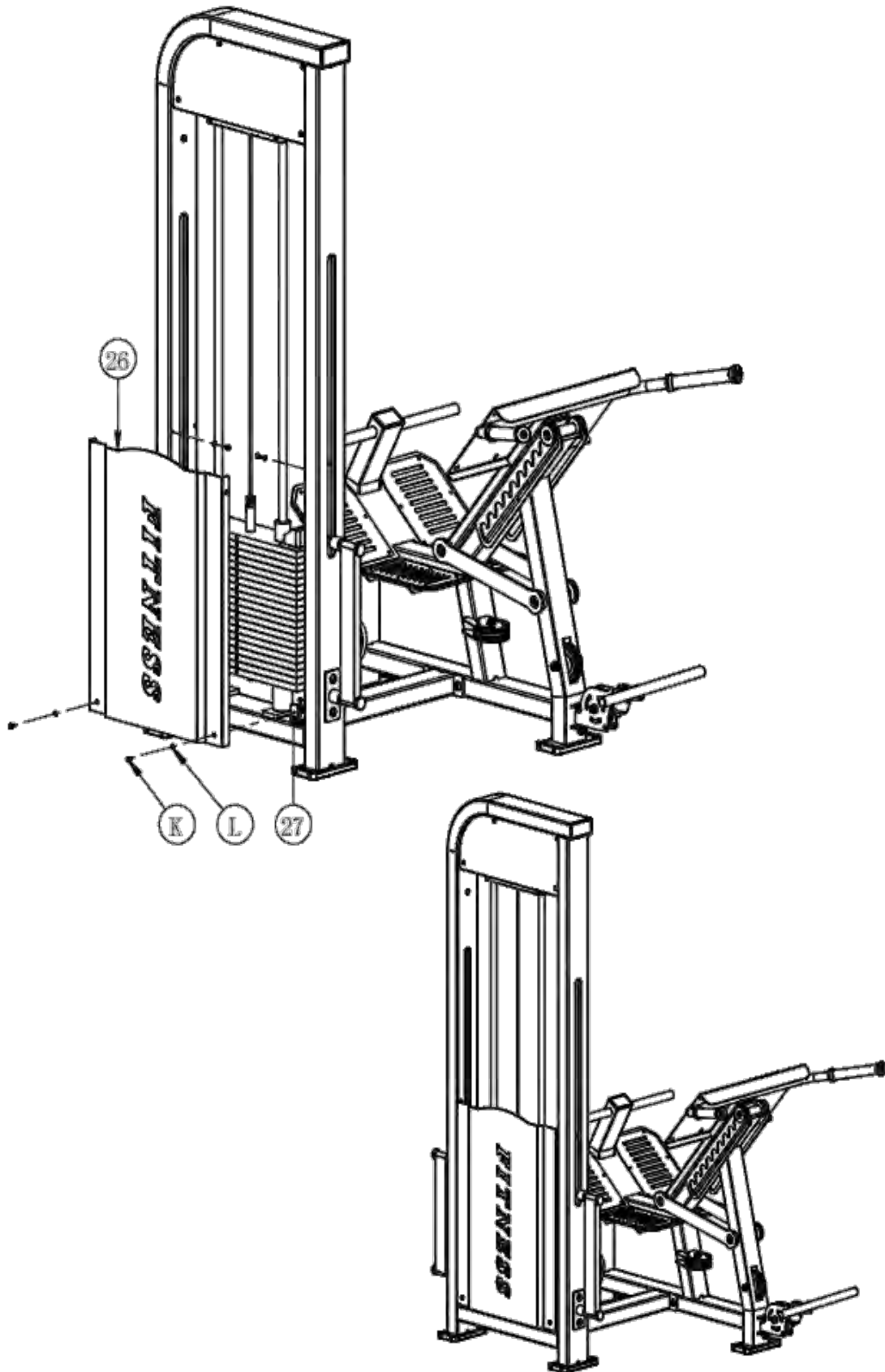
Assembly steps

Step	Item NO	Name	Qty
7	25	5020-2003 Label board	2
	K	Cross recessed pan head screw M5X10	8
	L	Flat washer (galvanized) Φ 5	8



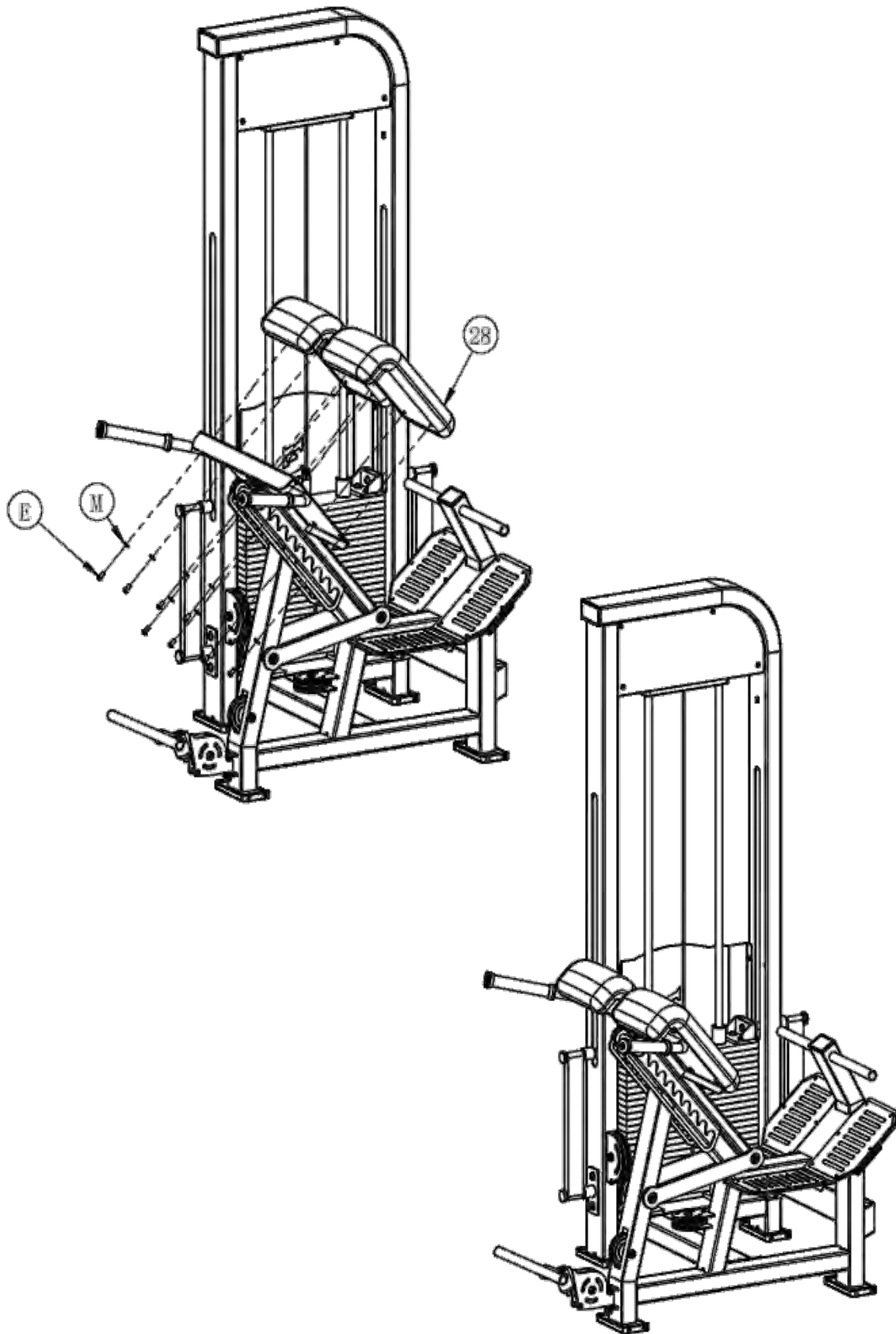
Assembly steps

Step	Item NO	Name	Qty
8	26	5067-1-1000 Small door guard	1
	27	5067-1-1400 Guard fixing plate	2
	L	Flat washer (galvanized) $\Phi 5$	4
	K	Cross recessed pan head screw M5X10	6



Assembly steps

Step	Item NO	Name	Qty
9	28	5 Series Seat Cushion #24	2
	E	Round head screw M8X16	8
	M	Φ8 flat washer	8



Assembly steps

Step	Item NO	Name	Qty
10	29	07-6059-0003 Foam barrel cover	2
	30	07-6059-0004 Foam cover	2
	31	07-6059-0005 Foam Roller F4	2
	E	Round head screw M8X16	2
	M	Φ8 flat washer	2

