

# ABDOMINAL CRUNCH (S-EP-AC)



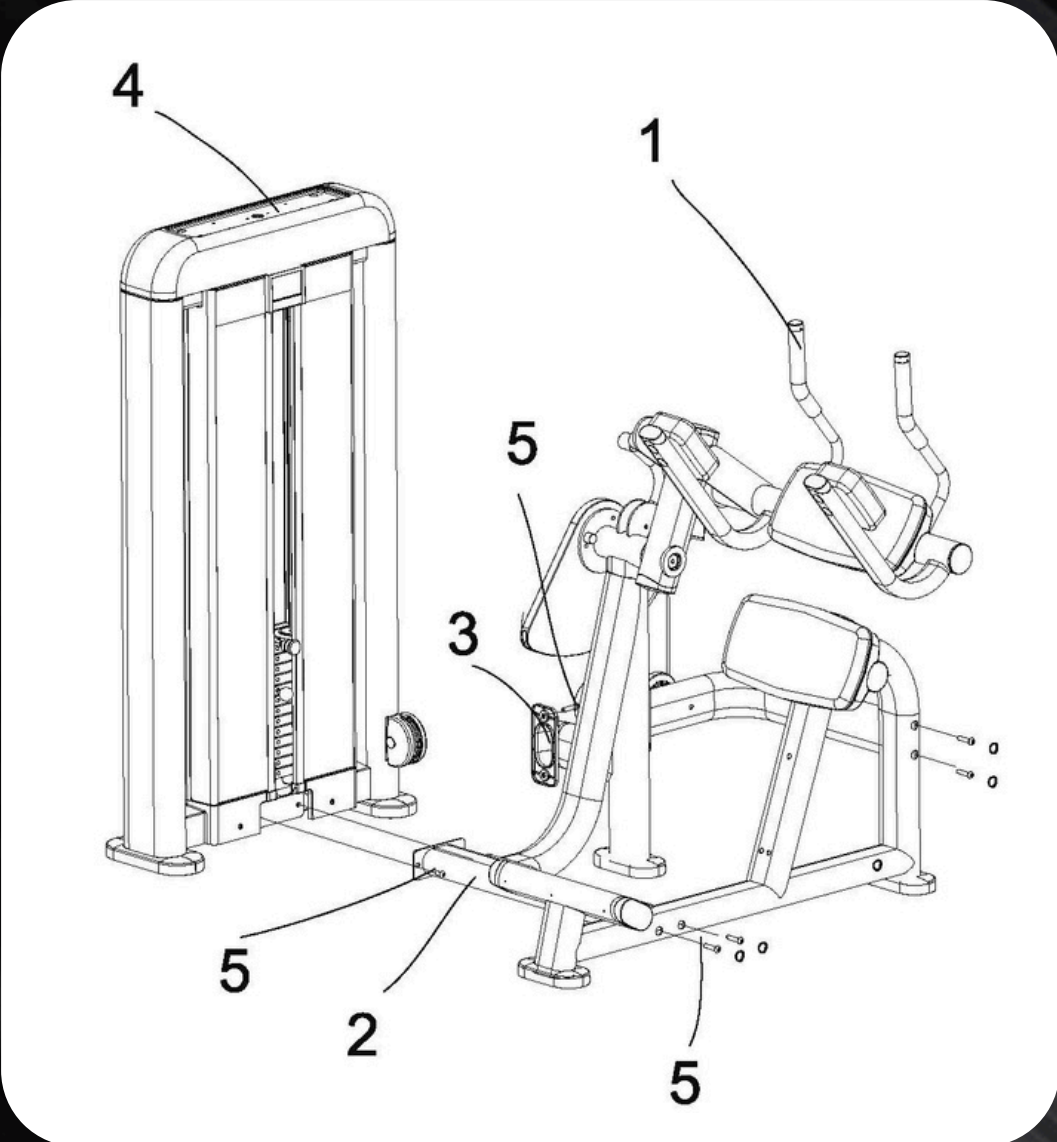
# ELITE PLUS

## INSTALLATION MANUAL

# ABDOMINAL CRUNCH (S-EP-AC)



No.	Name	Unit	Qty.
1	main frame	pcs	1
2	bottom connector component	pcs	1
3	back connector component	pcs	1
4	weight stack main frame welded component	pcs	1
5	M10 x 25 Hex Screw + Flat Washer	pcs	8



**ELITE PLUS**

INSTALLATION MANUAL

[www.muscledfit.com](http://www.muscledfit.com)