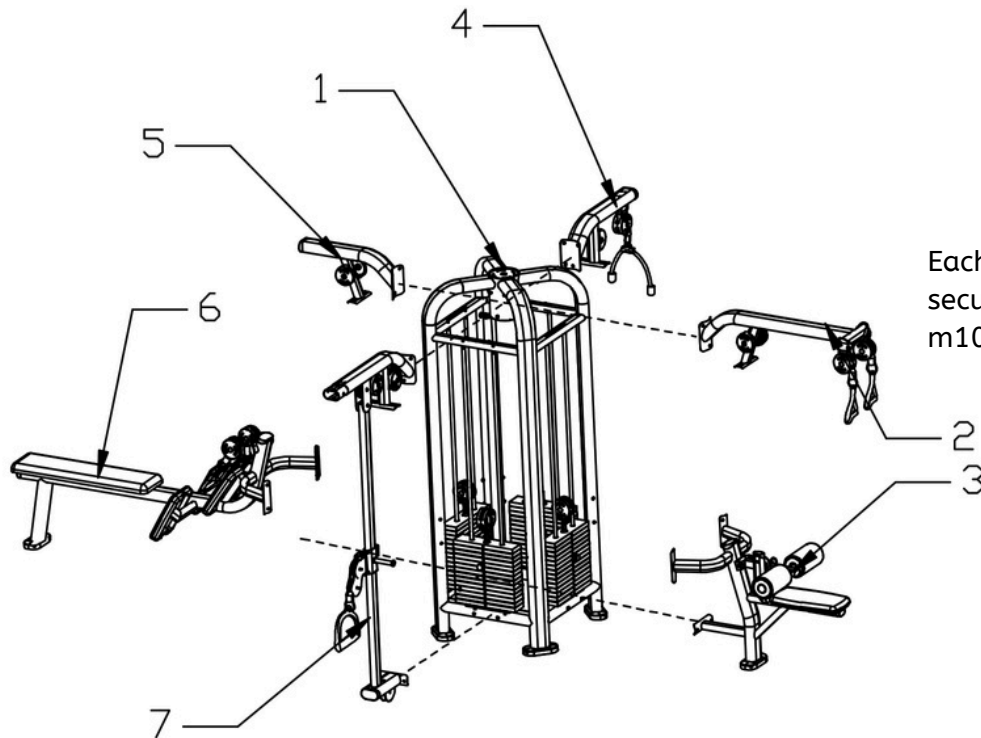


# 4 STACK MEGATRON DELUXE JUNGLE GYM



## (MT-JG4)

1. Main Frame
2. Lat Pulldown Component 1
3. Lat Pulldown Component 2
4. Pulley Station Component
5. Lat Low Row Component 1
6. Lat Low Row Component 2
7. Adjustable Pulley Component 1



m10 x 60 bolt

m10 x 20 bolt

m10 x 140 bolt

Each station is individually secured to the main frame using m10 x 130 bolt

Two stations are installed on a shared component of the main structure using m10 x 140 bolt