



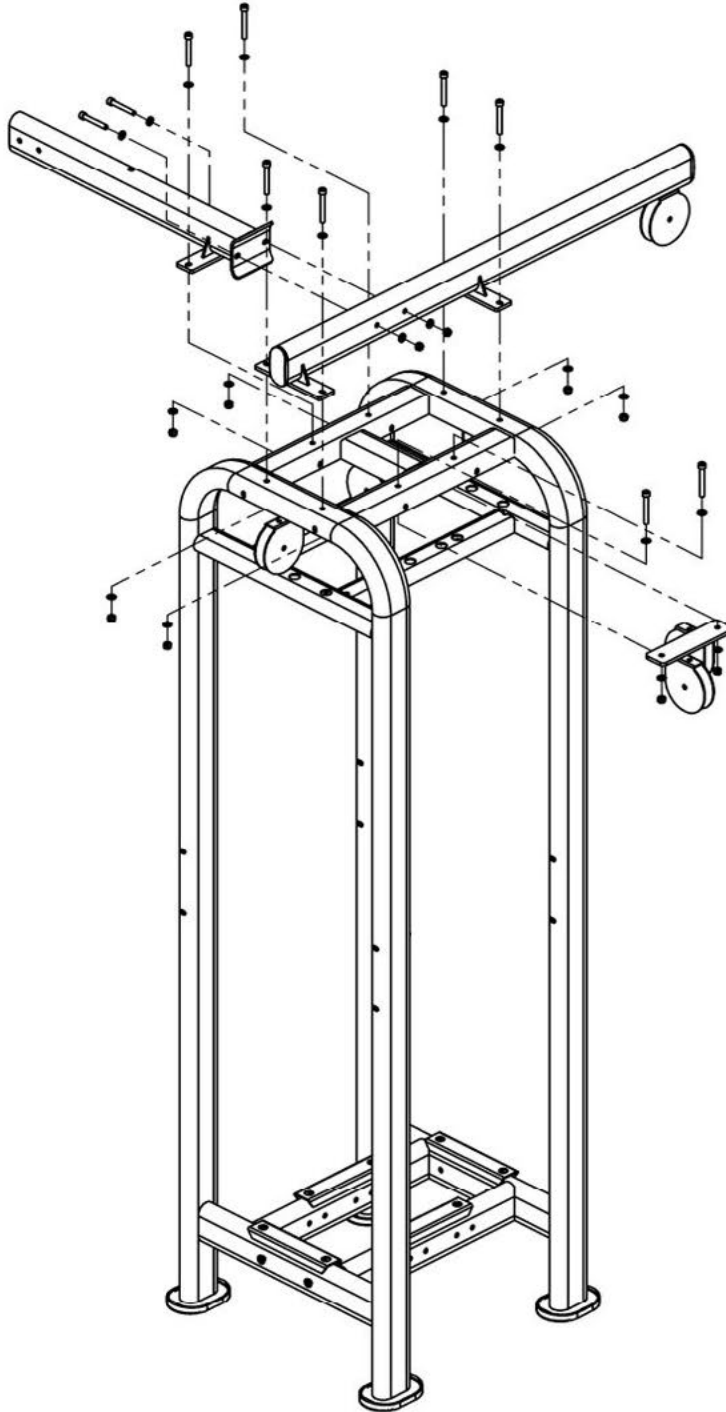
# **4 Stack Megatron Standard Jungle Gym (MT-SJG4)**



## **Installation Manual**

[www.muscledfit.com](http://www.muscledfit.com)

NOTE: In this step, all the washers and nuts which are not marked are W10 and N10

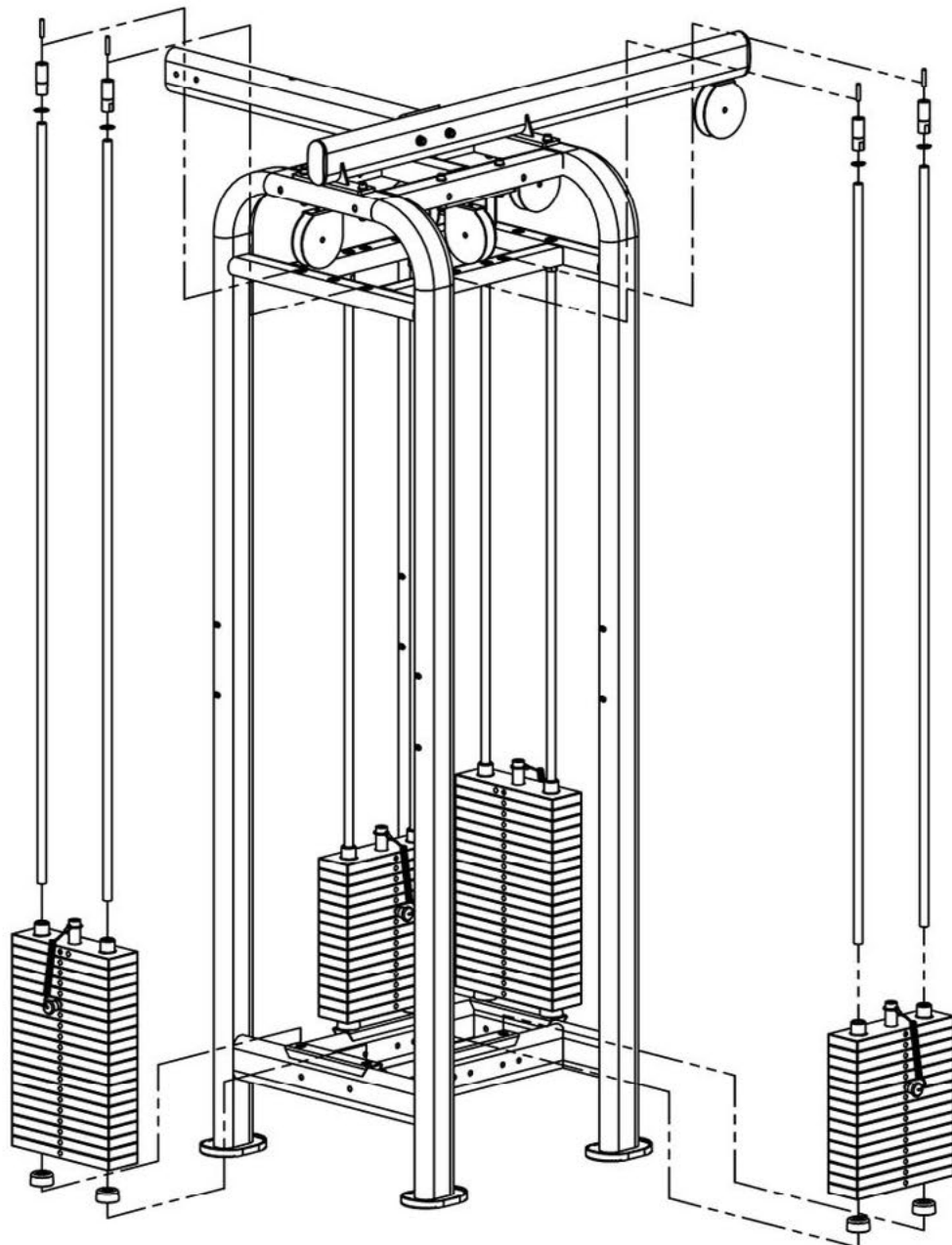


**INFORMATION**

- ◆ We recommend you have someone assist you in lifting and assembling your gym.
- ◆ Follow these steps carefully and it will make it easier to assemble your gym.

**STEP 1**

NOTE: In this step, all the washers and nuts which are not marked are W10 and N10

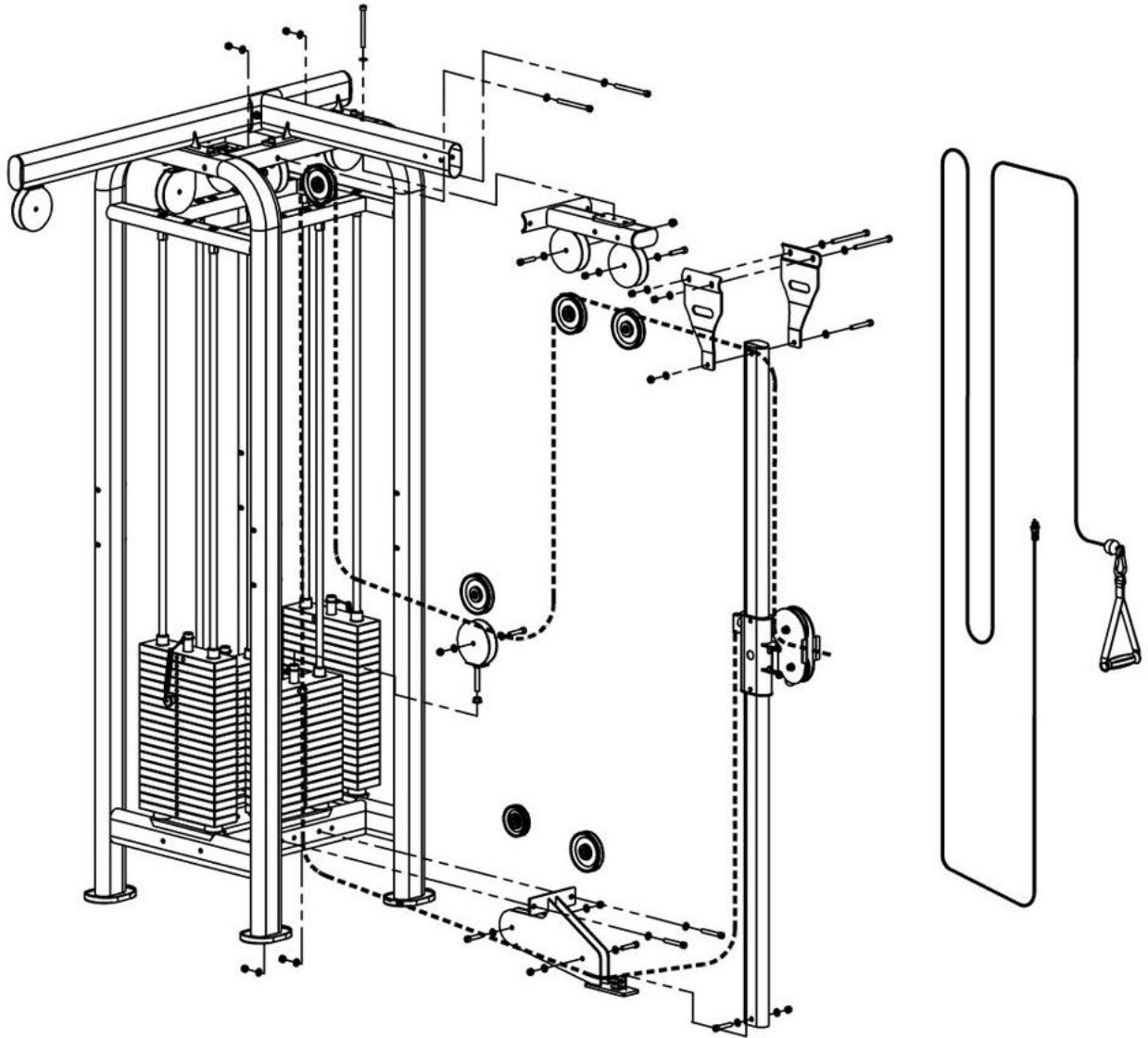


#### INFORMATION

- ◆ We recommend you have someone assist you in lifting and assembling your gym.
- ◆ Follow these steps carefully and it will make it easier to assemble your gym.

**STEP 2**

NOTE: In this step, all the washers and nuts which are not marked are W10 and N10

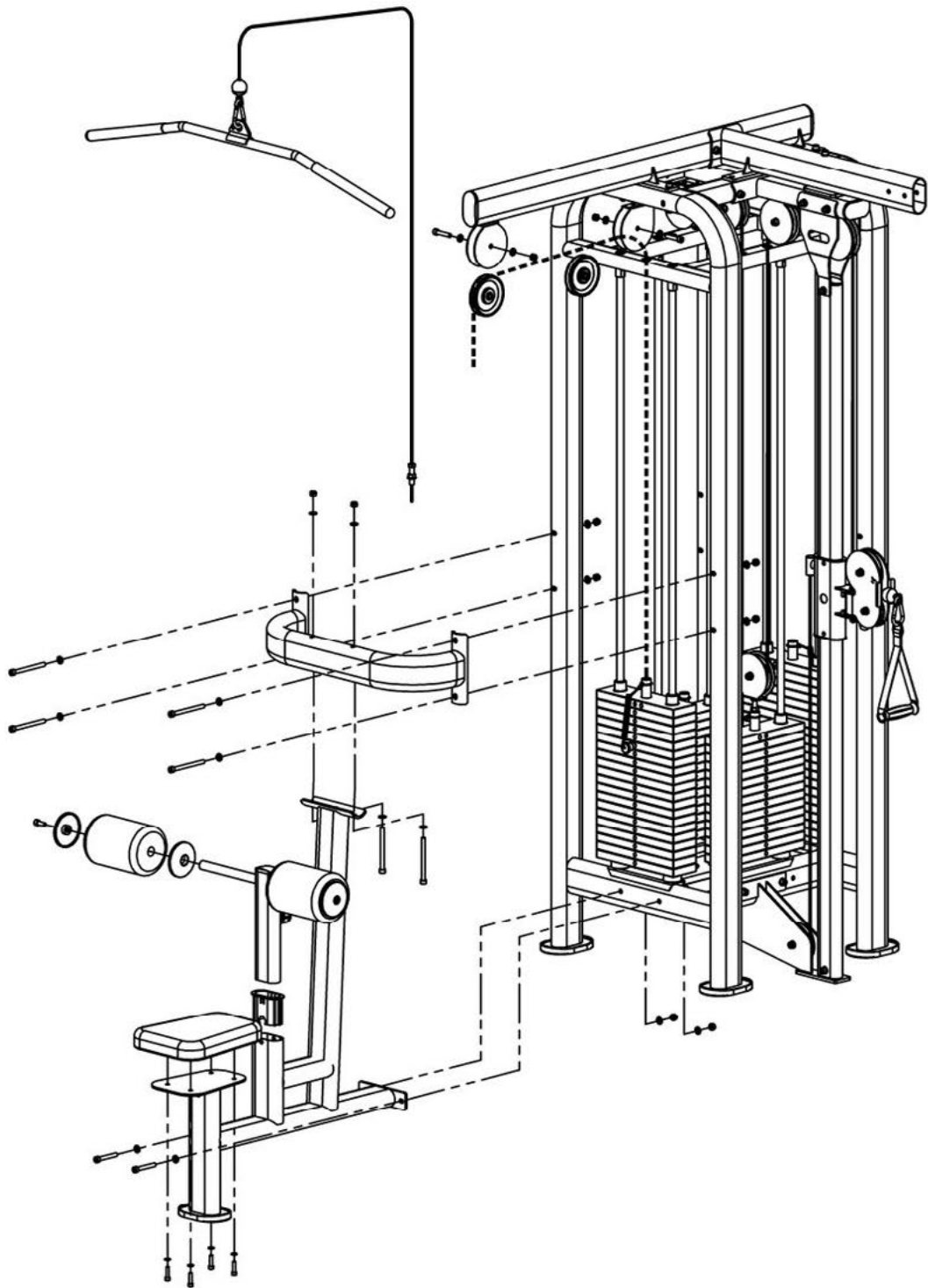


#### INFORMATION

- ◆ We recommend you have someone assist you in lifting and assembling your gym.
- ◆ Follow these steps carefully and it will make it easier to assemble your gym.

**STEP 3**

NOTE: In this step, all the washers and nuts which are not marked are W10 and N10

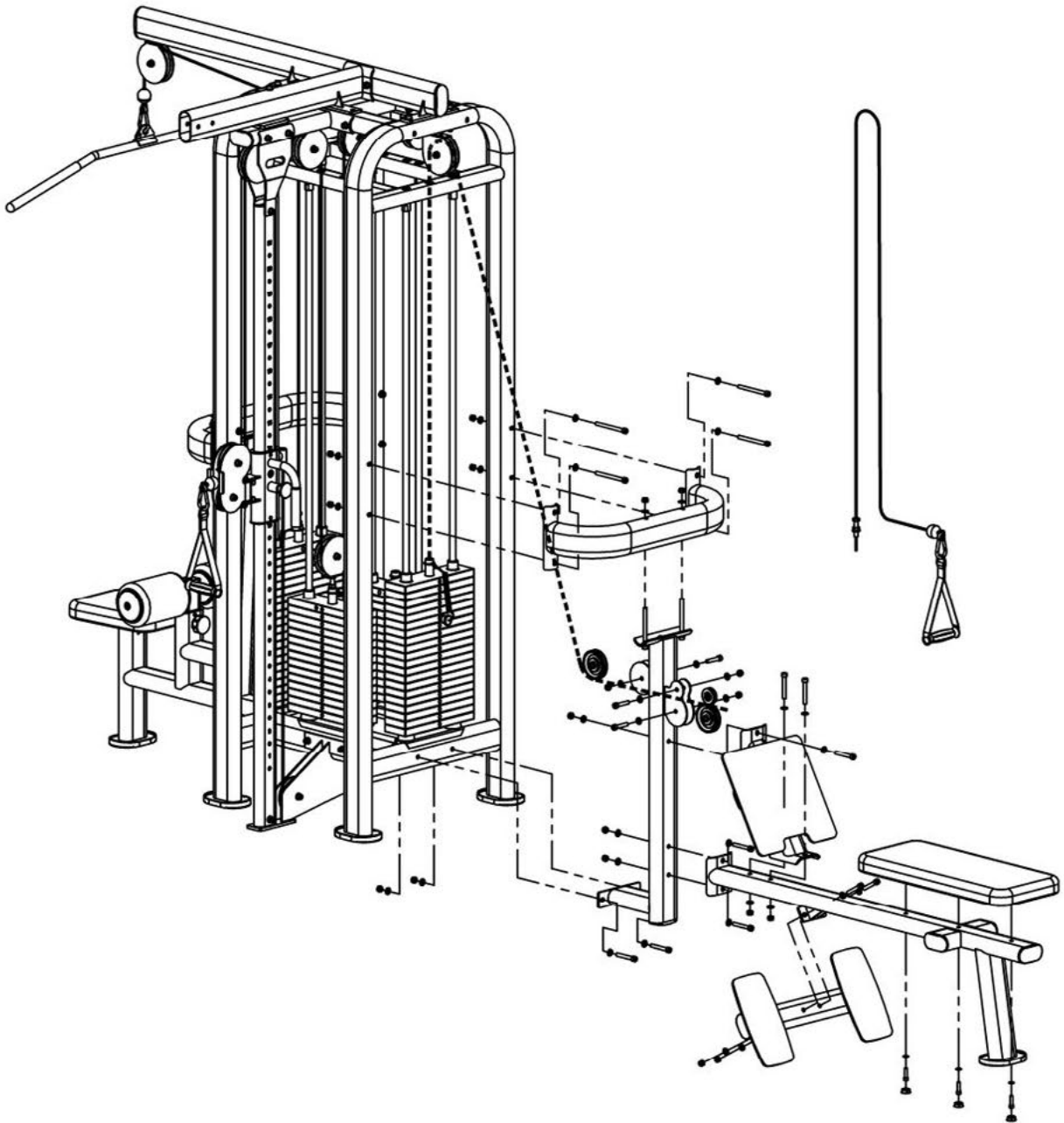


#### INFORMATION

- ◆ We recommend you have someone assist you in lifting and assembling your gym.
- ◆ Follow these steps carefully and it will make it easier to assemble your gym.

**STEP 4**

NOTE: In this step, all the washers and nuts which are not marked are W10 and N10

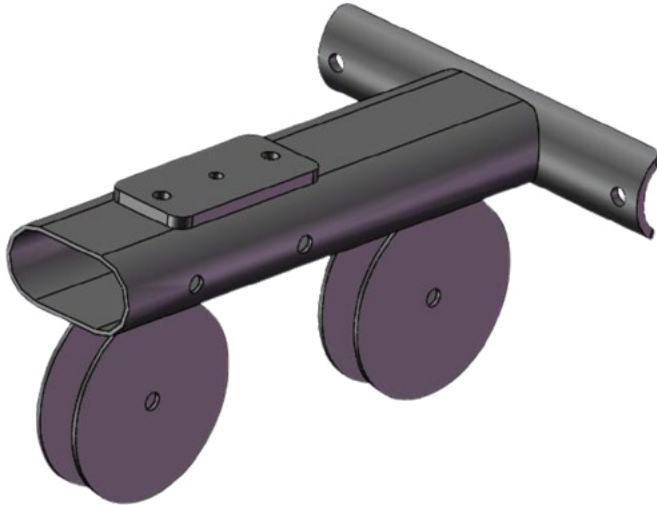


#### INFORMATION

- ◆ We recommend you have someone assist you in lifting and assembling your gym.
- ◆ Follow these steps carefully and it will make it easier to assemble your gym.

**STEP 5**

## Side Connector Beam A

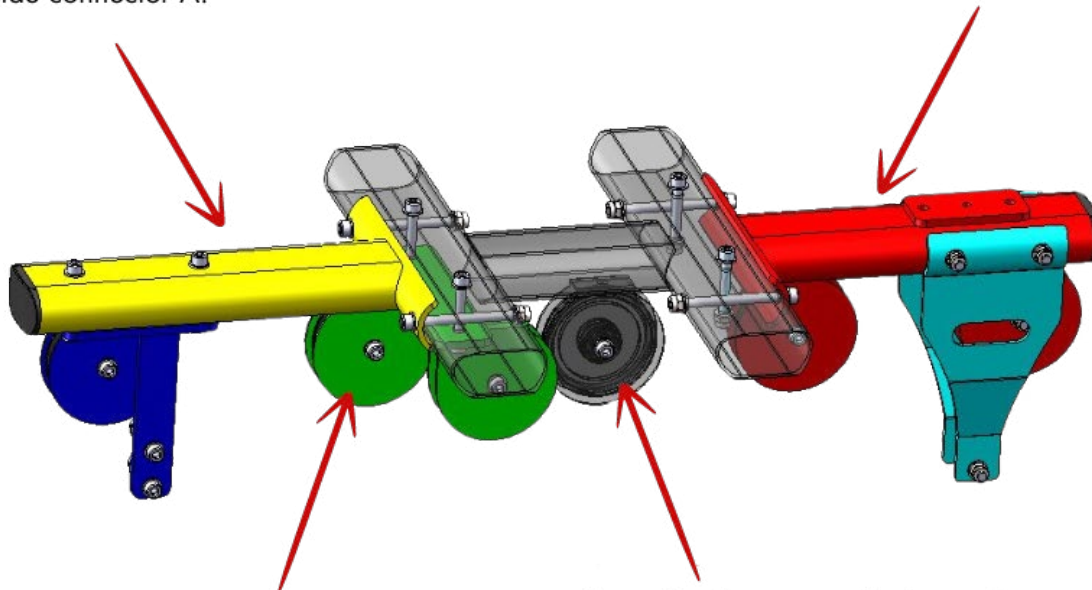


## Side Connector Beam B



Side connector A double pulley adjustment rod. Yellow, green and blue indicates side connector A.

Side connector B single pulley adjustment rod. Red connector indicates side connector B.



The green component is inclined toward the side connector A.

This pulley frame is welded onto the main frame and is inclined toward the side connector B.